

MDRH40

8-bit Single-Chip Microcontroller

Embedded 40V 3-Phase P/N MOSFET

Pre-Driver

Data sheet

V0.1 2020-11

Description

MDRH40 is a highly integrated motor drive controller. It is composed of BLDC motor MCU and 40V 3-phase P/N MOSFET pre-driver that suit for under DC 30V and medium motor system, for example household fan water pump、server fan...etc.

1.Features

Motor Controller (MOC)

- Space Vector PWM (SVPWM)
- Supports Sin-Wave and Square-Wave Solutions
- Supports Hall Latch Input(SSOP-28W)
- Supports Hall Latch & Hal Element Input
- Supports Digital OCP and Analog OCP (Over Current Protection)
- Programmable Dead Band
- Programmable Angle Shift Control (-58° to 58° in 64steps)

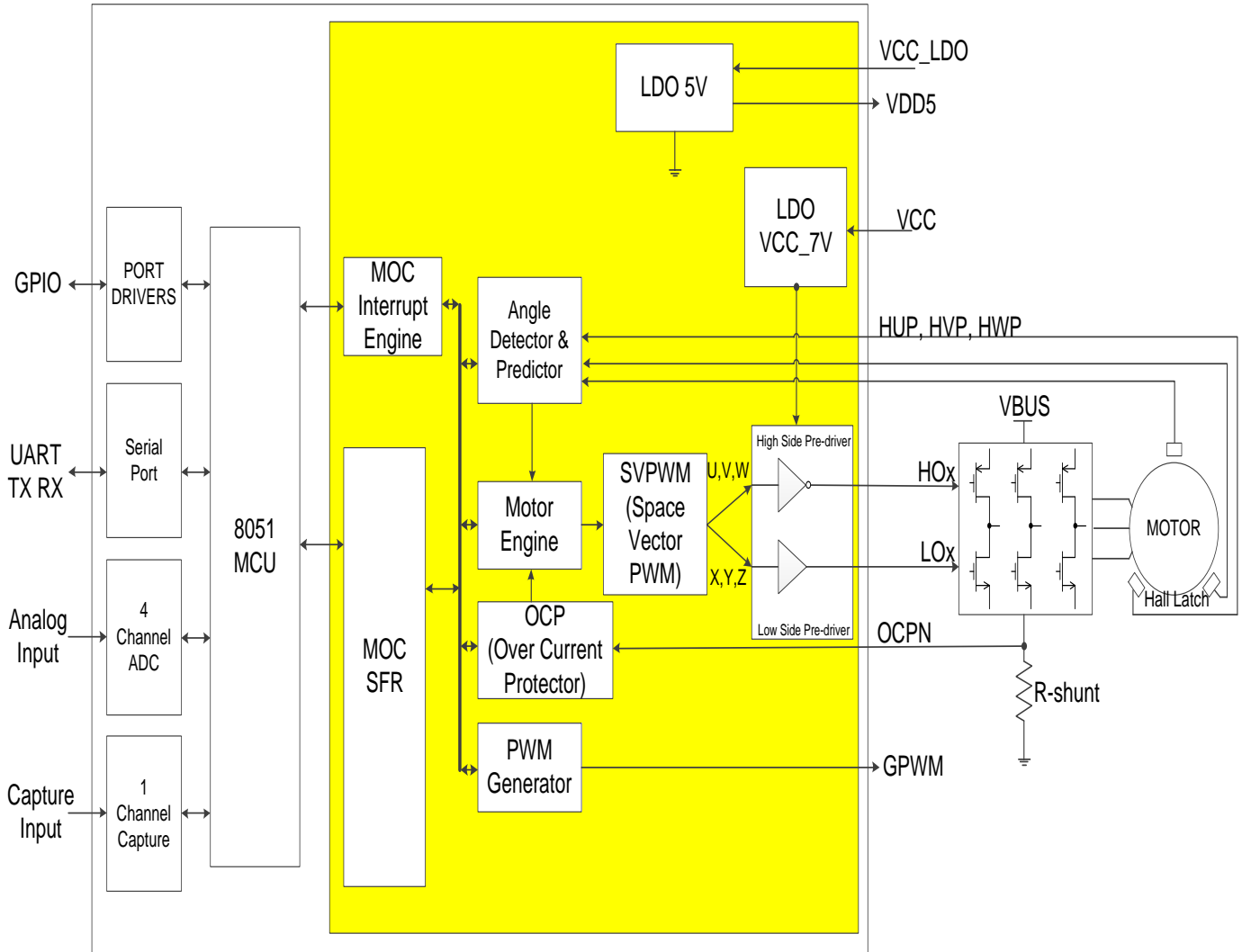
Gate Driver

- Integrated 40V 3-phase P/N MOSFET Pre-driver
- Shoot-through protection
- Built-in 5V LDO

Embedded MCU

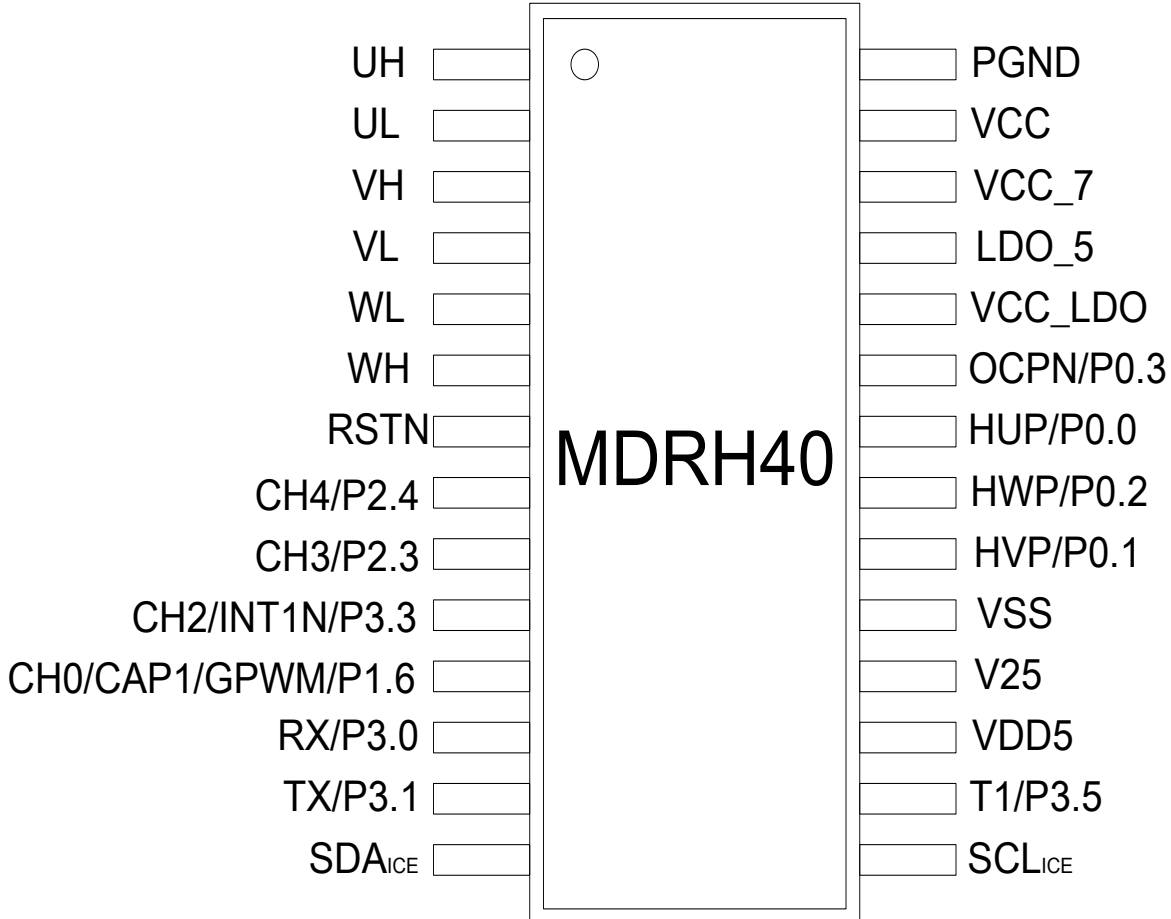
- MCS[®]-51 Compatible
- 1T 8052 Central Processing Unit
- 4.5V to 5.5V Operation Range
- 4 Level Priority Interrupt
- 13 Interrupt Sources
- 1 External Interrupts (INT1N)
- Memory Size:
 - 8KB Flash Program Memory
 - 256 x 8-bit IRAM
 - 256 x 8-bit XRAM
- Up to 12 General-Purpose Input / Output (GPIO) Pins
- Three 16-bit Timer/Counters
- Watchdog (WD) Timer
- 1-Channel 16-bit Capture
- 4/5-Channel 10-bit Analog-to-Digital Converter (SSOP-28W)
- Full Duplex UART Serial Channel
- Fast Multiplication-Division Unit (MDU): 16*16,32/16, 16/16, 32-bit L/R shifting and 32-bit normalization

2. Block Diagram



3. Pin Assignments

3.1 SSOP-28W



4. Pin Definitions

Package(Pin no.)	Name	Type	Description
SSOP-28			
1	UH	Vout_UH	High side phase-U PMOS driver.
2	UL	Vout_UL	Low side phase-U NMOS driver.
3	VH	Vout_VH	High side phase-V PMOS driver.
4	VL	Vout_VL	Low side phase-V NMOS driver.
5	WL	Vout_WL	Low side phase-W NMOS driver.
6	WH	Vout_WH	High side phase-W PMOS driver.
7	RSTN	I	System Reset.
8	CH4	I	Analog Input Ch4.
	P2.4	I/O	Bit 4 of Port 2.
9	CH3	I	Analog Input Ch3.
	P2.3	I/O	Bit 3 of Port 2.
10	CH2	I	Analog Input Ch2.
	INT1N	I	External Interrupt 1. Low level trigger or falling edge trigger.
	P3.3	I/O	Bit 3 of Port 3.
11	CH0	I	Analog Input Ch0.
	CAP1	I	Capture Input 1
	GPWM	O	General PWM output.
	P1.6	I/O	Bit 6 of Port 1.
	CH7	I	Analog Input Ch7.
	CAP2	I	External Interrupt 2. Low level trigger or falling edge trigger.
	P2.7	I/O	Bit 7 of Port 2.
12	RX	I	Serial Data Transmit (UART)
	P3.0	I/O	Bit 0 of Port 3.
13	TX	O	Serial Data Receive (UART)
	P3.1	I/O	Bit 1 of Port 3.
14	SDA _{ICE}		For ICE(In Circuit Emulator).
15	SCL _{ICE}		For ICE(In Circuit Emulator).

16	T1	I	TIMER1 External Input.
	P3.5	I/O	Bit 5 of Port 3.
17	VDD5	Power	5.0V Voltage Input. A 0.1uF and 10uF (minimum) capacitor should be connected between this pin and VSS.
18	V25	O	2.5V Voltage Output. A 0.1uF and 1uF (minimum) capacitor should be connected between this pin and VSS.
19	VSS	Ground	Logic ground.
20	HVP	I	Hall Latch or Hall Element positive input.(HALL V)
	P0.1	I/O	Bit 1 of Port 0.
	HVN	I	Hall Element negative input.(HALL V)
	P0.5	I/O	Bit 5 of Port 0.
21	HWP	I	Hall Latch or Hall Element positive input.(HALL W)
	P0.2	I/O	Bit 2 of Port 0.
	HWN	I	Hall Element negative input.(HALL W)
	P0.6	I/O	Bit 6 of Port 0.
22	HUP	I	Hall Latch or Hall Element positive input.(HALL U)
	P0.0	I/O	Bit 0 of Port 0.
	HUN	I	Hall Element negative input.(HALL U)
	P0.4	I/O	Bit 0 of Port 0.
23	OCPN	I	Over current protection. Active-low.
	P0.3	I/O	Bit 3 of Port 0.
24	VCC_LDO	Power	Logic and low-side gate drivers power supply voltage
25	LDO_5	Power output	5V output of LDO.
26	VCC_7	Power	External regulator capacitor of LDO.
27	VCC	Power	Supply voltage input.
28	PGND	Ground	Power ground.

5. Absolute Maximum Ratings

VDD5 Supply Voltage.....	V _{SS} -0.3V to V _{SS} +6.0V
VCC Supply Voltage.....	-0.3V to 40V
Storage Temperature.....	-50°C to 150°C
Operating Temperature with LDO_5V 30mA.....	-40°C to 85°C
Operating Temperature w/o LDO_5V.....	-40°C to 105°C
GPIO_I _{OH} Total.....	-6mA
GPIO_I _{OL} Total.....	6mA
Gate Driver Source peak current.....	80mA
Gate Driver Sink peak current.....	50mA
Θ _{JA} Thermal Resistance, Junction-to-ambient (SSOP-28W)	82°C/W
Total Power Dissipation(SSOP-28W).....	800mW
Electrostatic Discharge Capability – Human Body Mode.....	2000V
Electrostatic Discharge Capability – Machine Mode.....	200V

6. D.C. Characteristics

VCC=24V, VDD5=5V, Ta=25°C, unless otherwise specified.

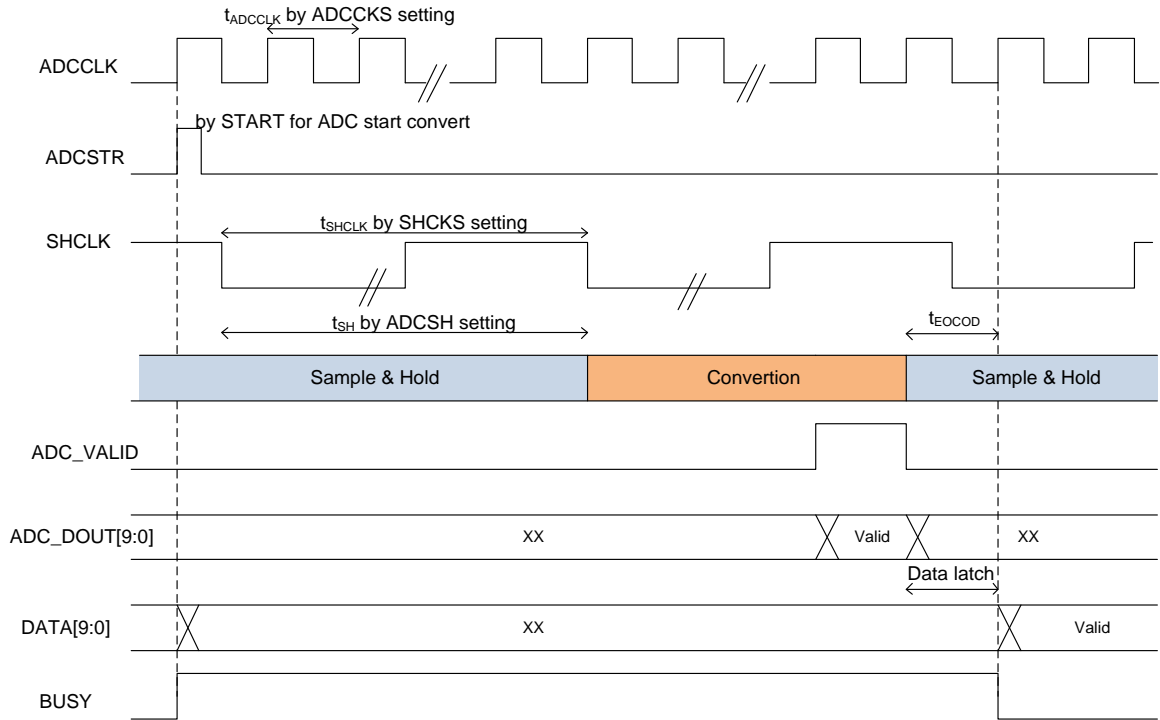
Symbol	Parameter	Test Conditions		Min.	Typ.	Max.	Unit
		V	Conditions				
VCC	DC Voltage Input			10	–	40	V
VIH_U/V/WH	Logic "1" Input Voltage	Vcc = 10V to 40V		2.4	–	–	V
VIL_U/W/WH	Logic "0" Input Voltage	Vcc = 10V to 40V		–	–	0.8	
IO+_U/V/WH	Source Peak Current	CL = 1nF			80		mA
IO-_U/V/WH	Sink Peak Current	CL = 1nF			50		mA
IQCC	Quiescent VCC supply current	VIN = 0V or 5V				800	μA
RIN	HI_U/V/W, LI_U/V/W Pin Pull Low Resistor				100		KΩ
RhOUT	HO_U/V/W Pin Pull High Resistor				100		KΩ
RIOUT	LO_U/V/W Pin Pull Low Resistor				100		KΩ
VCC_7 LDO Characteristics							
VCC_7	VCC_7 Regulator Output Voltage	VCC = 24V, Io = 6mA			17		V
5V LDO Characteristics							
VLDO	Regulator Output Voltage	VCC = 24V, Io = 30mA			5.0		V
V25	V25 Output Range	–	Load	2.35	2.5	2.65	V
IvDD5	Operating Current	VDD5	No load,	–	8	10	mA
VIL	Input Low Voltage for I/O Ports.	–	–	0	–	0.3 VDD5	V
VIH	Input High Voltage for I/O Ports.	–	–	0.7 VDD5	–	VDD5	V
VLVD	LVD Voltage Level	–	–				
VoL	Output Low Voltage for I/O Ports.	VDD5	IOL=5mA	–	–	0.5	V
VoH	Output High Voltage for I/O Ports.	VDD5	IOH=–3.8mA	4.5	–	–	V

R_{PU}	Pull-up Resistance for I/O Ports	VDD5	–	10	35	50	K Ω
R_{PD}	Pull-down Resistance for I/O Ports	VDD5	–	10	35	50	K Ω

7. A.C. Characteristics

MCU							
Symbol	Parameter	Test Conditions		Min.	Typ.	Max.	Unit
		VDD5	Conditions				
f_{SYS}	System Frequency	4.5V~5.5V	Ta=-40°C to	TBD	48	TBD	MHz
			Ta=-20°C to	TBD	48	TBD	MHz
			Ta=25°C	-1%	48	1%	MHz
f_{TIMER}	Timer Input Pin Frequency	—	—	—	—	4	fsys
t_{INT}	Interrupt Pulse Width	—	—	1	5	10	tsys
t_{LVD}	Low Voltage Width to	—	—	120	240	480	us
t_{V25}	V ₂₅ Stable Time	—	—	60	120	240	us
t_{RSDT}	System Reset Delay	—	—	25	50	100	ms
Gate-Driver, VCC=24V, VSS=0V, CL=1nF, TA=25°C							
Symbol	Definition	Test Condition		Min.	Typ.	Max.	Unit
ton	(HI_U/V/W) Turn-on				260		ns
toff	(HI_U/V/W) Turn-off				220		
tR	Turn on rise time				75		
tF	Turn off fall time				72		

8. A/D Converter Characteristics



Ta=25°C

Symbol	Parameter	Test Conditions		Min.	Typ.	Max.	Unit
		VDD5	Conditions				
I_{AD}	Additional Power Consumption	5V	—	—	4.5	—	mA
I_{ADSTB}	A/D Converter Standby	—	Load Current	—	—	4	uA
t_{CONV}	A/D Conversion Time	—	4MHz	—	3.25	—	us
		—	2MHz	—	6.5	—	us
t_{SH}	A/D Sample and Hold Time	—	1MHz	1	—	4	us
		—	500KHz	2	—	8	us
		—	400KHz	2.5	—	10	us
		—	333KHz	3	—	12	us
DNL	Differential Non-linearity	4.5V	No load,	-1	—	+3	LSB
		5.5V	$t_{CONV}=2.5us$	-1	—	+3	LSB
		4.5V	No load,	-1	—	+3	LSB
		5.5V	$t_{CONV}=5us$	-1	—	+3	LSB
INL	Integral Non-linearity	4.5V	No load,	-4	—	+4	LSB
		5.5V	$t_{CONV}=2.5us$	-4	—	+4	LSB
		4.5V	No load,	-4	—	+4	LSB
		5.5V	$t_{CONV}=5us$	-4	—	+4	LSB
G_{ERR}	Gain Error	—	—	-10	—	+10	LSB

9. Special Function Registers (SFR)

9.1 SFRs Memory Map

	8	9	A	B	C	D	E	F	
F8	PINCONG1	PINCONG2	PINCONG3	PINCONG4	PINCONG5	PINCONG6	RSTS	TAKEY	FF
F0	B	PINSET1	PINSET2	PINSET3	PINSET4	PINSET5	PINSET6	PINSET7	F7
E8	ASUD1_1	ASUD1_2	ASUD1_3	ASUD1_4	ASUD2_1	ASUD2_2	ASUD2_3	ASUD2_4	EF
E0	ACC	AS_MD_CONT	MD0	MD1	MD2	MD3	MD4	MD5	E7
D8	CAPCONT	VRHALL	SVPWMAMPFT	MD_CONT	ASUR1	ASUR2	ASUR3	ASUR4	DF
D0	PSW	PFCON	ADCCONT	ADCSTR	----	ADCD1	ADCD2	SYNC	D7
C8	T2CON	CAPT_H	CAPT_L	CAPH_H	CAPH_L	----	----	----	CF
C0	IRCON1	SVPWMANG	----	SVPWMAMPL	SVPWMAMPH	----	----	----	C7
B8	IEN1	IP1	GPWMCONT	GPWMMAXL	GPWMMAXH	GPWMDYL	GPWMDYH	----	BF
B0	P3	MPWMCONT1	MPWMCONT2	MPWMINV	TL2	TH2	WDTC	WDTK	B7
A8	IEN0	IP0	MPWMDYVL	MPWMDYVH	----	MPWMDYWL	MPWMDYWH	----	AF
A0	P2	OCPCONT	MCONT2	MPWMMAXL	MPWMMAXH	MPWMDYUL	MPWMDYUH	MPWMDDB	A7
98	SCON	SBUF	SRELL	SRELH	HALLDBT	MCONT1	AOCPCONT	----	9F
90	P1	HALLSET1	HALLSET2	HALLSET3	HALLST	----	ROTORSPEEDL	ROTORSPEEDH	97
88	TCON	TMOD	TL0	TL1	TH0	TH1	AUX	AS	8F
80	P0	SP	DP0L	DP0H	DP1L	DP1H	RCON	PCON	87
	0	1	2	3	4	5	6	7	

9.2 MDRH40 SFRs and Reset Value

SYMBOL	DESCRIPTION	DIRECT ADDRESS	RESET VALUE
ACC	Accumulator	E0H	00H
ADCCONT	ADC Control Register	D2H	80H
ADCD1	ADC Data Register 1	D5H	00H
ADCD2	ADC Data Register 2	D6H	00H
ADCSTR	ADC Start Convert and Setting Register	D3H	00H
AOCPCONT	Analog OCP Control Register	9EH	0FH
AS	Angle Shift Control Register	8FH	00H
AS_MD_CONT	ASU and MDU Control Register	E1H	10H
ASUD1_1	ASU Data 1 byte 1	E8H	00H
ASUD1_2	ASU Data 1 byte 2	E9H	00H
ASUD1_3	ASU Data 1 byte 3	EAH	00H
ASUD1_4	ASU Data 1 byte 4	EBH	00H
ASUD2_1	ASU Data 2 byte 1	ECH	00H
ASUD2_2	ASU Data 2 byte 2	EDH	00H
ASUD2_3	ASU Data 2 byte 3	EEH	00H
ASUD2_4	ASU Data 2 byte 4	EFH	00H
ASUR1	ASU Result Register 1	DCH	00H
ASUR2	ASU Result Register 2	DDH	00H
ASUR3	ASU Result Register 3	DEH	00H
ASUR4	ASU Result Register 4	DFH	00H
AUX	Auxiliary	8EH	11H
B	B Register	F0H	00H
CAPCONT	Capture Control Register	D8H	03H
CAPH_H	Capture High-level Count High	CBH	00H
CAPH_L	Capture High-level Count Low	CCH	00H
CAPT_H	Capture Total Count High	C9H	00H
CAPT_L	Capture Total Count Low	CAH	00H
DPTR0:	Data Pointer (2 bytes)		
DP0H	Data Pointer 0 High	83H	00H
DP0L	Data Pointer 0 Low	82H	00H
DPTR1:	Data Pointer 1 (2 bytes)		
DP1H	Data Pointer 1 High	85H	00H
DP1L	Data Pointer 1 Low	84H	00H
GPWMCONT	General PWM Control Register	BAH	00H

GPWMDYH	General PWM Duty Register High	BEH	FFH
GPWMDYL	General PWM Duty Register Low	BDH	FFH
GPWMMAXH	General PWM Max Register High	BCH	00H
GPWMMAXL	General PWM Max Register Low	BBH	02H
HALLDBT	Hall De-bounce Time Register	9CH	0EH
HALLSET1	Hall Setting Register 1	91H	45H
HALLSET2	Hall Setting Register 2	92H	26H
HALLSET3	Hall Setting Register 3	93H	13H
HALLST	Hall Status Register	94H	XXH
IEN0	Interrupt Enable Register 0	A8H	00H
IEN1	Interrupt Enable Register 1	B8H	00H
IPO	Interrupt Priority Register 0	A9H	00H
IP1	Interrupt Priority Register 1	B9H	00H
IRCON1	Interrupt Request Register 1	C0H	00H
MCONT1	Motor Control Register 1	9DH	X011 0000B
MCONT2	Motor Control Register 2	A2H	00H
MD_CONT	MDU Control Register	DBH	00H
MD0	Multiplication Division Register 0	E2H	00H
MD1	Multiplication Division Register 1	E3H	00H
MD2	Multiplication Division Register 2	E4H	00H
MD3	Multiplication Division Register 3	E5H	00H
MD4	Multiplication Division Register 4	E6H	00H
MD5	Multiplication Division Register 5	E7H	00H
MPWMCONT1	MPWM Control Register 1	B1H	00H
MPWMCONT2	MPWM Control Register 2	B2H	00H
MPWMDB	Motor PWM Deadband Register	A7H	00H
MPWMDYUH	Motor PWM Duty Register U High (Phase U)	A6H	07H
MPWMDYUL	Motor PWM Duty Register U Low (Phase U)	A5H	FFH
MPWMDYVH	Motor PWM Duty Register V High (Phase V)	ABH	07H
MPWMDYVL	Motor PWM Duty Register V Low (Phase V)	AAH	FFH
MPWMDYWH	Motor PWM Duty Register W High (Phase W)	AEH	07H
MPWMDYWL	Motor PWM Duty Register W Low (Phase W)	ADH	FFH
MPWMINV	MPWM Inverse Selection Register	B3H	00H
MPWMMAXH	Motor PWM Max Register High	A4H	00H
MPWMMAXL	Motor PWM Max Register Low	A3H	02H
OCPCONT	OCP Control Register	A1H	04H

P0	Port 0	80H	FFH
P1	Port 1	90H	FFH
P2	Port 2	A0H	FFH
P3	Port 3	B0H	FFH
PCON	Power Control Register	87H	00H
PFCON	Peripheral Frequency Control Register	D1H	00H
PINCONG1	Pin Configure Register 1	F8H	AAH
PINCONG2	Pin Configure Register 2	F9H	AAH
PINCONG3	Pin Configure Register 3	FAH	A0H
PINCONG4	Pin Configure Register 4	FBH	AAH
PINCONG5	Pin Configure Register 5	FCH	AAH
PINCONG6	Pin Configure Register 6	FDH	A0H
PINSET1	Pin I/O Setting Register 1	F1H	AAH
PINSET2	Pin I/O Setting Register 2	F2H	AAH
PINSET3	Pin I/O Setting Register 3	F3H	0AH
PINSET4	Pin I/O Setting Register 4	F4H	00H
PINSET5	Pin I/O Setting Register 5	F5H	80H
PINSET6	Pin I/O Setting Register 6	F6H	2AH
PINSET7	Pin I/O Setting Register 7	F7H	FFH
PSW	Program Status Word Register	D0H	00H
RCON	Internal RAM Control Register	86H	F0H
ROTORSPEEDH	Rotor Speed Count Register High	97H	FFH
ROTORSPEEDL	Rotor Speed Count Register Low	96H	FFH
RSTS	Reset Source Register	FEH	0AH
SBUF	Serial Port Data Buffer	99H	00H
SCON	Serial Port Control Register	98H	00H
SP	Stack Pointer	81H	07H
SRELH	Serial Port Reload Register High	9BH	00H
SRELL	Serial Port Reload Register Low	9AH	00H
SVPWMAMPFT	SVPWM Amplitude Fine-Tune Register	DAH	00H
SVPWMAMPH	SVPWM Amplitude Register High	C4H	00H
SVPWMAMPL	SVPWM Amplitude Register Low	C3H	00H
SVPWMANG	SVPWM Angle Register	C1H	00H
SYNC	MOC Sync Register	D7H	00H
T2CON	Timer2 Control Register	C8H	00H
TAKEY	Time Access Key Register	FFH	00H
TCON	Timer 0/1 Control Register	88H	00H

TH0	Timer0 High byte	8CH	00H
TH1	Timer1 High byte	8DH	00H
TH2	Timer2 High byte	B5H	00H
TL0	Timer0 Low byte	8AH	00H
TL1	Timer1 Low byte	8BH	00H
TL2	Timer2 Low byte	B4H	00H
TMOD	Timer 0/1 Mode Register	89H	00H
VRHALL	Virtual Hall Register	D9H	05H
WDTC	Watchdog Timer Control Register	B6H	04H
WDTK	Watchdog Timer Refresh Key	B7H	00H

10. Memory

MDRH40 memory structure follows the general 8052 structures.

There are three memory areas: Program Memory (Flash), External Data Memory (XRAM) and Internal Data Memory (IRAM). In addition, **MDRH40** integrates 8Kbytes Flash, 256bytes IRAM and 256bytes XRAM.

10.1. Program Memory

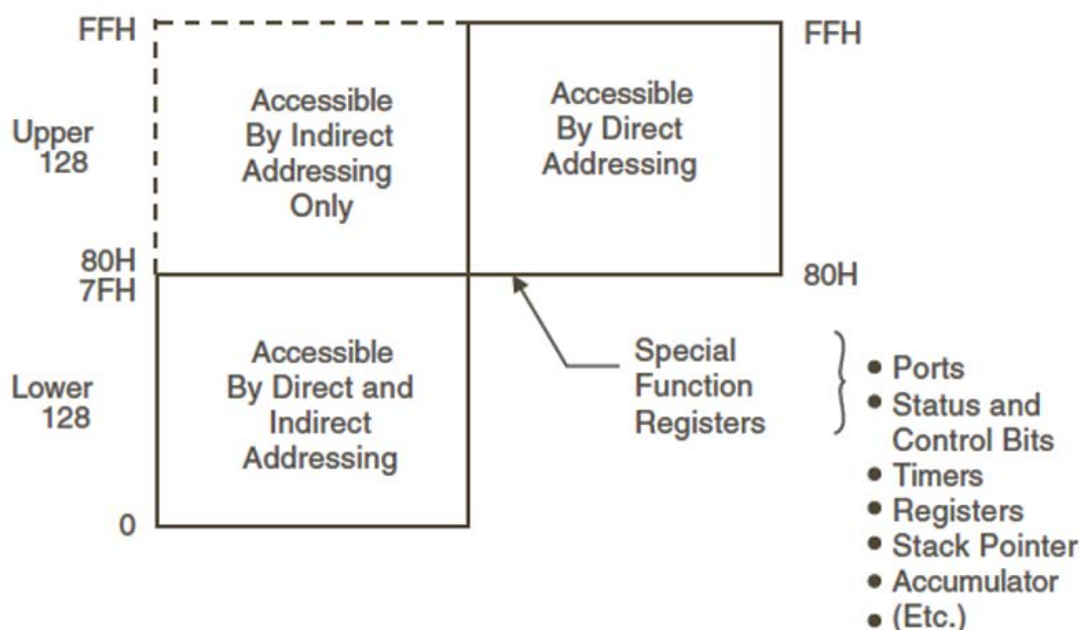
MDRH40 contains 8Kbytes of on-chip Flash memory for program storage.

10.2. Data Memory

MDRH40 contains 256bytes of general internal data memory (IRAM) and 256 bytes of external data memory (XRAM).

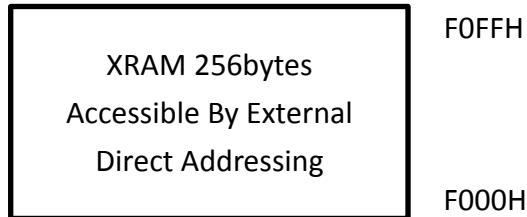
10.2.1 Data Memory (IRAM)(00H~FFH)

The lower 128 bytes of IRAM may be accessed through both direct and indirect addressing. The upper 128 bytes of IRAM and the 128 bytes of SFR registers share the same address space. The upper 128 bytes of data memory may only be accessed using indirect addressing. The SFR registers can only be accessed through direct addressing. The lowest 32 bytes (00H -1FH) of data memory are grouped into 4 banks of 8 registers each. The **RS0** and **RS1** bits (**PSW.3** and **PSW.4**) select which register bank is in use. Instructions using register addressing will only access the currently specified bank.



10.2.2 Data Memory (XRAM)(F000H~F0FFH)

External addresses F000H to F0FFh contain the on-chip expanded SRAM. This memory can be accessed via external direct addressing mode (with **MOVX** instructions). The address space of instruction **MOVX @Ri, A** (i=0,1) is determined by **RCON** [7:0] of SFR 86**HRCON**(internal RAM control register). The default setting of **RCON** [7:0] is F0h (page0). One page of XRAM is 256 bytes.



11. Instruction Set

MDRH40 is fully binary compatible with the MCS-51 instruction set.

Arithmetic operations	Description	Bytes	Cycles	Hex Code
ADD A,Rn	Add register to accumulator	1	1	0x28-0x2F
ADD A,direct	Add directly addressed data to accumulator	2	2	0x25
ADD A,@Ri	Add indirectly addressed data to accumulator	1	2	0x26-0x27
ADD A,#data	Add immediate data to accumulator	2	2	0x24
ADDC A,Rn	Add register to accumulator with carry	1	1	0x38-0x3F
ADDC A,direct	Add directly addressed data to accumulator with carry	2	2	0x35
ADDC A,@Ri	Add indirectly addressed data to accumulator with carry	1	2	0x36-0x37
ADDC A,#data	Add immediate data to accumulator with carry	2	2	0x34
SUBB A,Rn	Subtract register from accumulator with borrow	1	1	0x98-0x9F
SUBB A,direct	Subtract directly addressed data from accumulator with borrow	2	2	0x95
SUBB A,@Ri	Subtract indirectly addressed data from accumulator with borrow	1	2	0x96-0x97
SUBB A,#data	Subtract immediate data from accumulator with borrow	2	2	0x94
INC A	Increment accumulator	1	1	0x04
INC Rn	Increment register	1	2	0x08-0x0F
INC direct	Increment directly addressed location	2	3	0x05
INC @Ri	Increment indirectly addressed location	1	3	0x06-0x07
INC DPTR	Increment data pointer	1	1	0xA3
DEC A	Decrement accumulator	1	1	0x14
DEC Rn	Decrement register	1	2	0x18-0x1F
DEC direct	Decrement directly addressed location	2	3	0x15
DEC @Ri	Decrement indirectly addressed location	1	3	0x16-0x17
MUL AB	Multiply A and B	1	5	0xA4
DIV	Divide A by B	1	5	0x84
DA A	Decimally adjust accumulator	1	1	0xD4

Logic operations	Description	Bytes	Cycles	Hex Code
ANL A,Rn	AND register to accumulator	1	1	0x58-0x5F
ANL A,direct	AND directly addressed data to accumulator	2	2	0x55
ANL A,@Ri	AND indirectly addressed data to accumulator	1	2	0x56-0x57
ANL A,#data	AND immediate data to accumulator	2	2	0x54
ANL direct,A	AND accumulator to directly addressed location	2	3	0x52
ANL direct,#data	AND immediate data to directly addressed location	3	4	0x53
ORL A,Rn	OR register to accumulator	1	1	0x48-0x4F
ORL A,direct	OR directly addressed data to accumulator	2	2	0x45
ORL A,@Ri	OR indirectly addressed data to accumulator	1	2	0x46-0x47
ORL A,#data	OR immediate data to accumulator	2	2	0x44
ORL direct,A	OR accumulator to directly addressed location	2	3	0x42
ORL direct,#data	OR immediate data to directly addressed location	3	4	0x43
XRL A,Rn	Exclusive OR register to accumulator	1	1	0x68-0x6F
XRL A,direct	Exclusive OR directly addressed data to accumulator	2	2	0x65
XRL A,@Ri	Exclusive OR indirectly addressed data to accumulator	1	2	0x66-0x67
XRL A,#data	Exclusive OR immediate data to accumulator	2	2	0x64
XRL direct,A	Exclusive OR accumulator to directly addressed location	2	3	0x62
XRL direct,#data	Exclusive OR immediate data to directly addressed location	3	4	0x63
CLR A	Clear accumulator	1	1	0xE4
CPL A	Complement accumulator	1	1	0xF4
RL A	Rotate accumulator left	1	1	0x23
RLC A	Rotate accumulator left through carry	1	1	0x33
RR A	Rotate accumulator right	1	1	0x03
RRC A	Rotate accumulator right through carry	1	1	0x13
SWAP A	Swap nibbles within the accumulator	1	1	0xC4

Data transfer operations	Description	Bytes	Cycles	Hex Code
MOV A,Rn	Move register to accumulator	1	1	0xE8-0xEF
MOV A,direct	Move directly addressed data to accumulator	2	2	0xE5
MOV A,@Ri	Move indirectly addressed data to accumulator	1	2	0xE6-0xE7
MOV A,#data	Move immediate data to accumulator	2	2	0x74
MOV Rn,A	Move accumulator to register	1	2	0xF8-0xFF
MOV Rn,direct	Move directly addressed data to register	2	4	0xA8-0xAF
MOV Rn,#data	Move immediate data to register	2	2	0x78-0x7F
MOV direct,A	Move accumulator to direct	2	3	0xF5
MOV direct,Rn	Move register to direct	2	3	0x88-0x8F
MOV direct1,direct2	Move directly addressed data to directly addressed location	3	4	0x85
MOV direct,@Ri	Move indirectly addressed data to directly addressed location	2	4	0x86-0x87
MOV direct,#data	Move immediate data to directly addressed location	3	3	0x75
MOV @Ri,A	Move accumulator to indirectly addressed location	1	3	0xF6-0xF7
MOV @Ri,direct	Move directly addressed data to indirectly addressed location	2	5	0xA6-0xA7
MOV @Ri,#data	Move immediate data to in directly addressed location	2	3	0x76-0x77
MOV DPTR,#data16	Load data pointer with a 16-bit immediate	3	3	0x90
MOVC A,@A+DPTR	Load accumulator with a code byte relative to DPTR	1	3	0x93
MOVC A,@A+PC	Load accumulator with a code byte relative to PC	1	3	0x83
MOVX A,@Ri	Move external RAM (8-bit addr.) to accumulator	1	3	0xE2-0xE3
MOVX A,@DPTR	Move external RAM (16-bit addr.) to accumulator	1	3	0xE0
MOVX @Ri,A	Move accumulator to external RAM (8-bit addr.)	1	4	0xF2-0xF3
MOVX @DPTR,A	Move accumulator to external RAM (16-bit addr.)	1	4	0xF0

PUSH direct	Push directly addressed data onto stack	2	4	0xC0
POP direct	Pop directly addressed location from stack	2	3	0xD0
XCH A,Rn	Exchange register with accumulator	1	2	0xC8-0xCF
XCH A,direct	Exchange directly addressed location with accumulator	2	3	0xC5
XCH A,@Ri	Exchange indirect RAM with accumulator	1	3	0xC6-0xC7
XCHD A,@Ri	Exchange low-order nibbles of indirect and accumulator	1	3	0xD6-0xD7

Program branches	Description	Bytes	Cycles	Hex Code
ACALL addr11	Absolute subroutine call	2	6	xxx10001b
LCALL addr16	Long subroutine call	3	6	0x12
RET	Return from subroutine	1	4	0x22
RETI	Return from interrupt	1	4	0x32
AJMP addr11	Absolute jump	2	3	xxx00001b
LJMP addr16	Long jump	3	4	0x02
SJMP rel	Short jump (relative address)	2	3	0x80
JMP @A+DPTR	Jump indirect relative to the DPTR	1	2	0x73
JZ rel	Jump if accumulator is zero	2	3	0x60
JNZ rel	Jump if accumulator is not zero	2	3	0x70
JC rel	Jump if carry flag is set	2	3	0x40
JNC	Jump if carry flag is not set	2	3	0x50
JB bit,rel	Jump if directly addressed bit is set	3	4	0x20
JNB bit,rel	Jump if directly addressed bit is not set	3	4	0x30
JBC bit,rel	Jump if directly addressed bit is set and clear bit	3	4	0x10
CJNE A,direct,rel	Compare directly addressed data to accumulator and jump if not equal	3	4	0xB5
CJNE A,#data,rel	Compare immediate data to accumulator and jump if not equal	3	4	0xB4
CJNE Rn,#data,rel	Compare immediate data to register and jump if not equal	3	4	0xB8-0xBF
CJNE @Ri,#data,rel	Compare immed. to ind. and jump if not equal	3	4	0xB6-0xB7
DJNZ Rn,rel	Decrement register and jump if not zero	2	3	0xD8-0xDF
DJNZ direct,rel	Decrement directly addressed location and jump if not zero	3	4	0xD5

NOP	No operation	1	1	0
-----	--------------	---	---	---

Boolean manipulation	Description	Bytes	Cycles	Hex Code
CLR C	Clear carry flag	1	1	0xC3
CLR bit	Clear directly addressed bit	2	3	0xC2
SETB C	Set carry flag	1	1	0xD3
SETB bit	Set directly addressed bit	2	3	0xD2
CPL C	Complement carry flag	1	1	0xB3
CPL bit	Complement directly addressed bit	2	3	0xB2
ANL C,bit	AND directly addressed bit to carry flag	2	2	0x82
ANL C,/bit	AND complement of directly addressed bit to carry	2	2	0xB0
ORL C,bit	OR directly addressed bit to carry flag	2	2	0x72
ORL C,/bit	OR complement of directly addressed bit to carry	2	2	0xA0
MOV C,bit	Move directly addressed bit to carry flag	2	2	0xA2
MOV bit,C	Move carry flag to directly addressed bit	2	3	0x92

12. MCU

12.1 8051 Engine

SFR	Description	address	Reset value
ACC	Accumulator	E0H	00H
B	B Register	F0H	00H
PSW	Program Status Word Register	D0H	00H
SP	Stack Pointer	81H	07H
DP0H	Data Pointer 0 High	83H	00H
DP0L	Data Pointer 0 Low	82H	00H
DP1H	Data Pointer 1 High	85H	00H
DP1L	Data Pointer 1 Low	84H	00H
AUX	Auxiliary	8EH	11H
RCON	Internal RAM Control Register	86H	F0H

12.1.1 ACC (Accumulator)

The most important of all special function registers, that's the first comment about **Accumulator** which is also known as **ACC** or **A**. The **Accumulator** (sometimes referred to as Register A also) holds the result of most of arithmetic and logic operations.

ACC		Address = E0H							Reset Value = 0000000B
Accumulator									
	ACC.7	ACC.6	ACC.5	ACC.4	ACC.3	ACC.2	ACC.1	ACC.0	
Bit	7	6	5	4	3	2	1	0	
Type	R/W	R/W	R/W	R/W	R/W	R/W	R/W	R/W	

12.1.2B (B Register)

The **B** register is used during multiplying and division instructions. It can also be used as a scratch-pad register to hold temporary data.

B		Address = F0H							Reset Value = 0000000B
B Register									
	B.7	B.6	B.5	B.4	B.3	B.2	B.1	B.0	
Bit	7	6	5	4	3	2	1	0	
Type	R/W	R/W	R/W	R/W	R/W	R/W	R/W	R/W	

12.1.3 PSW (Program Status Word Register)

The **PSW** register contains status bits that reflect the current state of the CPU. Note that the Parity bit can only be modified by hardware upon the state of **ACC** register.

PSW		Address = D0H Reset Value = 00000000B						
Program Status Word Register								
Bit	CY	AC	F0	RS1	RS0	OV	F1	P
Type	R/W	R/W	R/W	R/W	R/W	R/W	R/W	R
CY	Carry flag : Carry bit in arithmetic operations and accumulator for Boolean operations.							
AC	Auxiliary Carry flag : Set if there is a carry-out from third bit of Accumulator in BCD Operations.							
F0	General purpose Flag0 : General purpose flag available for user.							
RS1	Register bank select control bit 1, used to select working register bank.							
RS0	Register bank select control bit 0, used to select working register bank.							
OV	Overflow flag : Set in case of overflow in Accumulator during arithmetic operations.							
F1	General purpose Flag 1 : General purpose flag available for user.							
P	Parity flag : Reflects the number of '1's in the Accumulator. P = '1' if Accumulator contains an odd number of '1's P = '0' if Accumulator contains an even number of '1's							

The state of **RS1** and **RS0** bits selects the working register bank as follows:

RS1	RS0	Selected Register Bank	Location
0	0	Bank 0	00H – 07H
0	1	Bank 1	08H – 0FH
1	0	Bank 2	10H – 17H
1	1	Bank 3	18H – 1FH

12.1.4 SP (Stack Pointer)

This register points to the top of stack in internal data memory space. It is used to store the return address of program before executing interrupt routine or subprograms. The **SP** is incremented before executing **PUSH** or **CALL** instruction and it is decremented after executing **POP** or **RET(I)** instruction (it always points the top of stack). A reset initializes the stack pointer to location 0x07. Therefore, the first value pushed on the stack is placed at location 0x08.

SP		Address = 81H							Reset Value = 00000111B
Stack Pointer									
		SP.7	SP.6	SP.5	SP.4	SP.3	SP.2	SP.1	SP.0
Bit		7	6	5	4	3	2	1	0
Type		R/W	R/W	R/W	R/W	R/W	R/W	R/W	R/W

12.1.5 DP0 (Data Pointer 0)

These registers are intended to hold 16-bit address in the indirect addressing mode used by **MOVX** (move external memory), **MOVC** (move program memory) or **JMP** (computed branch) instructions. They may be manipulated as 16-bit register or as two separate 8-bit registers. **DP0H** holds higher byte and **DP0L** holds lower byte of indirect address.

It is generally used to access external code or data space, e.g.:

- **MOVCA, @A+DPTR** (code space)
- **MOVA, @DPTR** (data space)

DP0H		Address = 83H							Reset Value = 00000000B
Data Pointer 0 High									
		DP0H[7:0]							
Bit		7	6	5	4	3	2	1	0
Type		R/W	R/W	R/W	R/W	R/W	R/W	R/W	R/W

DP0L		Address = 82H							Reset Value = 00000000B
Data Pointer 0 Low									
		DP0L[7:0]							
Bit		7	6	5	4	3	2	1	0
Type		R/W	R/W	R/W	R/W	R/W	R/W	R/W	R/W

12.1.6 DP1 (Data Pointer 1)

The dual data pointer accelerates the movement of block data. The standard **DPTR** is a 16-bit register that is used to address external memory, or peripherals. The standard data pointer is called **DPTR0** and the second data pointer is called **DPTR1**. The data pointer select bit chooses the active pointer. The data pointer select bit (**DPS**) is located in the LSB of **AUX** register (AUX.1).

The user switches between **DPTR0** and **DPTR1** by toggling the **DPS** bit. All **DPTR**-related instructions use the currently selected **DPTR** for any activity.

DP1H		Address = 85H		Reset Value = 00000000B					
		Data Pointer 1 High							
		DP1H[7:0]							
Bit	7	6	5	4	3	2	1	0	
Type	R/W	R/W	R/W	R/W	R/W	R/W	R/W	R/W	R/W

DP1L		Address = 84H		Reset Value = 00000000B					
		Data Pointer 1Low							
		DP1L[7:0]							
Bit	7	6	5	4	3	2	1	0	
Type	R/W	R/W	R/W	R/W	R/W	R/W	R/W	R/W	R/W

12.1.7 AUX(Auxiliary Register)

AUX		Address = 8EH							Reset Value = 00010001B
Auxiliary Register									
Bit	LVD_EN	LVD	----	ITS	SMOD	BRS	DPS	CP	
Type	R/W	R	X	R/W	R/W	R/W	R/W	R	
LVD_EN	Low voltage detect enable : 1: Enable								
LVD	Low voltage detect status. : 1:Low voltage occur								
ITS	MCU instruction timing select. : 0:1T 1:2T								
SMOD	Serial Port (UART) baud rate select.								
BRS	Serial Port (UART) baud rate generator select.								
DPS	Data pointer register select : 0 : Select DPTR Register DP0H, DP0L 1 : Select DPTR Register DP1H, DP1L								
CP	Code protect : 0 : Non-protect 1: Protect								

12.1.8 RCON (Internal RAM Control Register)

256 bytes of on-chip expanded RAM are provided and can be accessed by external memory addressing method only (instruction **MOVX**). The address space of instruction **MOVX @Ri, A** (i= 0,1) is determined by **RCON** [7:0] of **RCON**. The default setting of **RCON** [7:0] is F0H.

RCON		Address = 86H							Reset Value = 11110000B
Internal RAM Control Register									
Bit	RCON[7:0]								
Type	R/W	R/W	R/W	R/W	R/W	R/W	R/W	R/W	
	7	6	5	4	3	2	1	0	

12.2 GPIO

Four I/O ports are available: **Port0**, **Port1**, **Port2**, and **Port3**.

All 25port pins on **MDRH40** can configure to one of four modes :quasi-bidirectional (standard 8051 port outputs),push-pull output, open drain output, or input-only. All port pins default to input-only mode after reset.

Two configuration registers (**PINSETx**, **PINCONFGx**) for each port select the output mode for each port pin.

SFR	Description	address	Reset value
P0	Port 0	80H	FFH
P1	Port 1	90H	FFH
P2	Port 2	A0H	FFH
P3	Port 3	B0H	FFH
PINCONG1	Pin Configure Register 1	F8H	AAH
PINCONG2	Pin Configure Register 2	F9H	AAH
PINCONG3	Pin Configure Register 3	FAH	A0H
PINCONG4	Pin Configure Register 4	FBH	AAH
PINCONG5	Pin Configure Register 5	FCH	AAH
PINCONG6	Pin Configure Register 6	FDH	A0H
PINSET1	Pin I/O Setting Register 1	F1H	AAH
PINSET2	Pin I/O Setting Register 2	F2H	AAH
PINSET3	Pin I/O Setting Register 3	F3H	0AH
PINSET4	Pin I/O Setting Register 4	F4H	00H
PINSET5	Pin I/O Setting Register 5	F5H	80H
PINSET6	Pin I/O Setting Register 6	F6H	2AH
PINSET7	Pin I/O Setting Register 7	F7H	FFH

12.2.1 Port

P0		Address = 80H							Reset Value = 11111111B
Port 0									
		----	P0.6	P0.5	P0.4	P0.3	P0.2	P0.1	P0.0
Bit		7	6	5	4	3	2	1	0
Type		X	R/W	R/W	R/W	R/W	R/W	R/W	R/W

P1		Address = 90H Reset Value = 11111111B							
Port 1									
		-----	P1.6	P1.5	P1.4	P1.3	P1.2	P1.1	P1.0
Bit	7	6	5	4	3	2	1	0	
Type	X	R/W	R/W	R/W	R/W	R/W	R/W	R/W	R/W

P2		Address = A0H Reset Value = 11111111B							
Port 2									
		P2.7	P2.6	P2.5	P2.4	P2.3	-----	-----	-----
Bit	7	6	5	4	3	2	1	0	
Type	R/W	R/W	R/W	R/W	R/W	X	X	X	

P3		Address = B0H Reset Value = 11111111B							
Port 3									
		-----	-----	P3.5	P3.4	P3.3	P3.2	P3.1	P3.0
Bit	7	6	5	4	3	2	1	0	
Type	X	X	R/W	R/W	R/W	R/W	R/W	R/W	R/W

12.2.2 PINCONG (Pin Configure Register)

PINCONG1		Address = F8H Reset Value = 10101010B							
Pin Configure Register 1									
		CH4CONG[1:0]		---		CH6CONG[1:0]		---	
Bit	7	6	5	4	3	2	1	0	
Type	R/W	R/W	X	X	R/W	R/W	X	X	
00 :		Quasi-bidirectional(standard 8051 port outputs)							
01 :		Push-pull output							
10 :		Input-only (High impedance)							
11 :		Open drain output							

PINCONG2 Address = F9H Reset Value = 10101010B

Pin Configure Register 2

		CH0CONG[1:0]		---		CH2CONG[1:0]		---	
Bit		7	6	5	4	3	2	1	0
Type		R/W	R/W	X	X	R/W	R/W	X	X

- 00 : Quasi-bidirectional(standard 8051 port outputs)
- 01 : Push-pull output
- 10 : Input-only (High impedance)
- 11 : Open drain output

PINCONG3 Address = FAH Reset Value = 10100000B

Pin Configure Register 3

		XCONG[1:0]		UCONG[1:0]		XTALOCONG[1:0]		XTALICONG[1:0]	
Bit		7	6	5	4	3	2	1	0
Type		R/W	R/W	R/W	R/W	R/W	R/W	R/W	R/W

- 00 : Quasi-bidirectional(standard 8051 port outputs)
- 01 : Push-pull output
- 10 : Input-only (High impedance)
- 11 : Open drain output

PINCONG4 Address = FBH Reset Value = 10101010B

Pin Configure Register 4

		ZCONG[1:0]		WCONG[1:0]		YCONG[1:0]		VCONG[1:0]	
Bit		7	6	5	4	3	2	1	0
Type		R/W	R/W	R/W	R/W	R/W	R/W	R/W	R/W

- 00 : Quasi-bidirectional(standard 8051 port outputs)
- 01 : Push-pull output
- 10 : Input-only (High impedance)
- 11 : Open drain output

PINCONG5		Address = FCH Reset Value = 10101010B							
Pin Configure Register 5									
		OCPNCONG[1:0]		HWPCONG[1:0]		HVPCONG[1:0]		HUPCONG[1:0]	
Bit		7	6	5	4	3	2	1	0
Type		R/W	R/W	R/W	R/W	R/W	R/W	R/W	R/W
00 : Quasi-bidirectional(standard 8051 port outputs) 01 : Push-pull output 10 : Input-only (High impedance) 11 : Open drain output									

PINCONG6		Address = FDH Reset Value = 10100000B							
Pin Configure Register 6									
		---		---		RXCONG[1:0]		TXCONG[1:0]	
Bit		7	6	5	4	3	2	1	0
Type		X	X	X	X	R/W	R/W	R/W	R/W
00 : Quasi-bidirectional(standard 8051 port outputs) 01 : Push-pull output 10 : Input-only (High impedance) 11 : Open drain output									

12.2.3 PINSET (Pin I/O Setting Register)

PINSET1		Address = F1H Reset Value = 10101010B							
Pin I/O Setting Register 1									
		CH4SET[1:0]		-----		CH6SET[1:0]		-----	
Bit		7	6	5	4	3	2	1	0
Type		R/W	R/W	X	X	R/W	R/W	X	X
00 : No pull									
01 : Pull down									
10 : Pull up									
11 : No pull									

PINSET2		Address = F2H Reset Value = 10101010B							
Pin I/O Setting Register 2									
		CH0SET[1:0]		-----		CH2SET[1:0]		-----	
Bit		7	6	5	4	3	2	1	0
Type		R/W	R/W	X	X	R/W	R/W	X	X
00 : No pull									
01 : Pull down									
10 : Pull up									
11 : No pull									

PINSET3		Address = F3H Reset Value = 00001010B							
Pin I/O Setting Register 3									
		XSET[1:0]		USET[1:0]		XTAL0SET[1:0]		XTAL1SET[1:0]	
Bit		7	6	5	4	3	2	1	0
Type		R/W	R/W	R/W	R/W	R/W	R/W	R/W	R/W
00 : No pull									
01 : Pull down									
10 : Pull up									
11 : No pull									

PINSET4		Address = F4H		Reset Value = 0000000B				
Pin I/O Setting Register 4								
	ZSET[1:0]		WSET[1:0]		YSET[1:0]		VSET[1:0]	
Bit	7	6	5	4	3	2	1	0
Type	R/W	R/W	R/W	R/W	R/W	R/W	R/W	R/W
00 : No pull 01 : Pull down 10 : Pull up 11 : No pull								

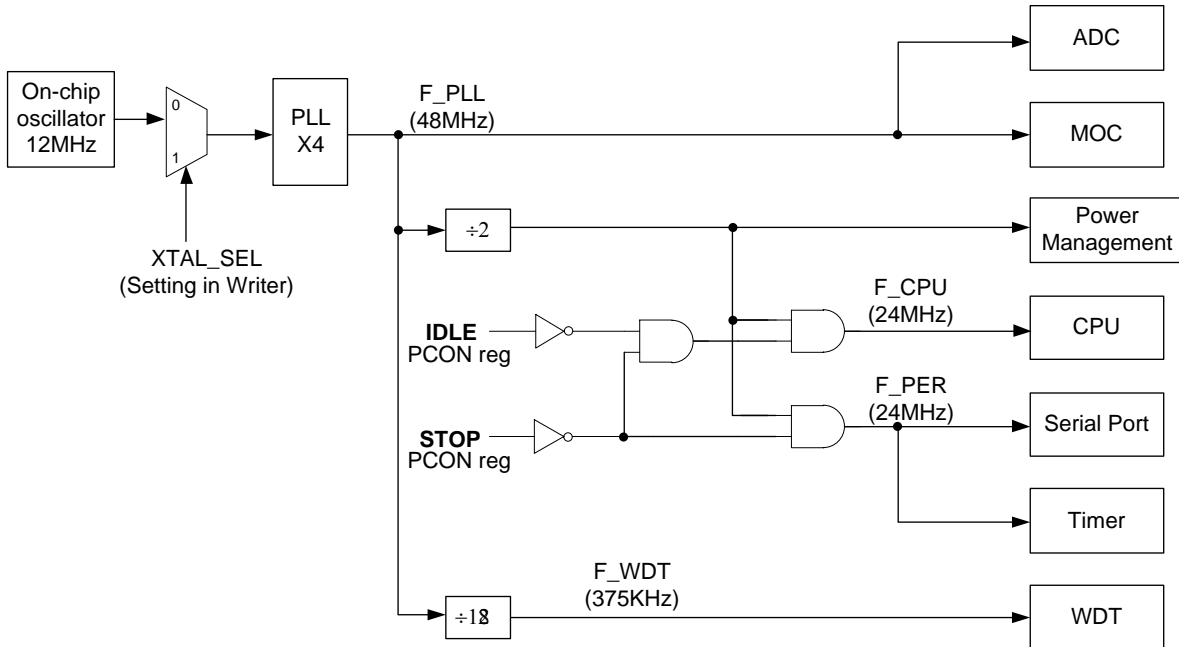
PINSET5		Address = F5H		Reset Value = 1000000B				
Pin I/O Setting Register 5								
	OCPNSET[1:0]		HWPSET[1:0]		HVPSET[1:0]		HUPSET[1:0]	
Bit	7	6	5	4	3	2	1	0
Type	R/W	R/W	R/W	R/W	R/W	R/W	R/W	R/W
00 : No pull 01 : Pull down 10 : Pull up 11 : No pull								

PINSET6		Address = F6H		Reset Value = 00101010B				
Pin I/O Setting Register 6								
	----		MOCS	GPWMS	RXSET[1:0]		TXSET [1:0]	
Bit	7	6	5	4	3	2	1	0
Type	X	X	R/W	R/W	R/W	R/W	R/W	R/W
TXSET[1:0], RXSET[1:0], HUNSET[1:0] 00 : No pull 01 : Pull down 10 : Pull up 11 : No pull								
MOCS 0 : U、V、W、X、Y、Z、HUP、HUN、HVP、HVN、HWP、HWN、OCPN is GPIO 1 : U、V、W、X、Y、Z、HUP、HVP、HWP、OCPN is MOC interface. If MOCS = '1' and MCONT2.0 = '1', HUN、HVN、HWN is MOC interface.					GPWMS 0 : CH0 is GPIO or AD 1 : CH0 is GPWM			

PINSET7		Address = F7H				Reset Value = 1111111B			
Pin I/O Setting Register 7									
	OCPNDBT[1:0]		HWPDBT[1:0]		HVPDBT[1:0]		HUPDBT[1:0]		
Bit	7	6	5	4	3	2	1	0	
Type	R/W	R/W	R/W	R/W	R/W	R/W	R/W	R/W	
PIN De-bounce time									
00 :	0nS								
01 :	250nS								
10 :	500nS								
11 :	1000nS								

12.3 Clock Structure

The clock source of MDRH40 uses an internal oscillator. The internal clock source (on-chip oscillator) is run at 12MHz. The choice of internal, clock source is setting by **Writer**.



12.4 Timer

The **MDRH40** has three 16-bit timer/counter registers: **Timer0**, **Timer1** and **Timer2**. All can be configured for counter, or timer, operations.

In addition to the “timer” or “counter” selection, **Timer0** and **Timer1** have four operating modes from which to select which are selected by bit-pairs (**M1**, **M0**) in **TMOD**. Modes 0, 1, and 2 are the same for both timer/counters. Mode 3 is different.

	Timer0	Timer1	Timer2
Mode 0	13-bit timer/counter	13-bit timer/counter	13-bit timer/counter
Mode 1	16-bit timer/counter	16-bit timer/counter	16-bit timer/counter
Mode 2	8-bit auto-reload timer/counter	8-bit auto-reload timer/counter	8-bit auto-reload timer/counter
Mode 3	two independent 8-bit timers/counters	stop	8-bit timers/counters

Two Special Function registers (**TMOD** and **TCON**) are used to select the appropriate mode.

SFR	Description	address	Reset value
PFCON	Peripheral Frequency Control Register	D1H	00H
TMOD	Timer 0/1 Mode Register	89H	00H
TCON	Timer 0/1 Control Register	88H	00H
T2CON	Timer2 Control Register	C8H	00H
TH0	Timer0 High byte	8CH	00H
TL0	Timer0 Low byte	8AH	00H
TH1	Timer1 High byte	8DH	00H
TL1	Timer1 Low byte	8BH	00H
TH2	Timer2 High byte	B5H	00H
TL2	Timer2 Low byte	B4H	00H

12.4.1 PFCON (Peripheral Frequency Control Register)

PFCON		Address = D1H							Reset Value = 0000000B	
Peripheral Frequency Control Register										
	-----	-----	SRELPS[1:0]		T1PS[1:0]		T0PS[1:0]			
Bit	7	6	5	4	3	2	1	0		
Type	X	X	R/W	R/W	R/W	R/W	R/W	R/W		
SRELPS[1:0] Serial port (UART) Prescaler select :										
00 :F_PER/64										
01 :F_PER/32										
10 :F_PER/16										
11 :F_PER/8										
T1PS[1:0] Timer1(T1) Prescaler select :										
00 :F_PER/12										
01 :F_PER										
10 :F_PER/96										
11 :-----										
T0PS[1:0] Timer0(T0) Prescaler select :										
00 :F_PER/12										
01 :F_PER										
10 :F_PER/96										
11 :-----										

12.4.2 TMOD (Timer 0/1 Mode Register)

TMOD register is used in configuration of MCUTimer0 and Timer1.

TMOD		Address = 89H		Reset Value = 00000000B					
Timer 0/1 Mode Register									
	GATE1	C/T1	T1M1	T1M0	GATE0	C/T0	T0M1	T0M0	
Bit	7	6	5	4	3	2	1	0	
Type	R/W	R/W	R/W	R/W	R/W	R/W	R/W	R/W	R/W
GATE1 Timer1 gate control : If set, enables external gate control (pin INT1N) for Counter1. When INT1N is high, and TR1 bit is set, the Counter1 is incremented every falling edge on INT1N input pin									
C/T1 Timer1 counter/timer select : 0 : Timer 1 : Counter									
GATE0 Timer 0 gate control : If set, enables external gate control (pin INT0N) for Counter0. When INT0N is high, and TR0 bit is set, the Counter0 is incremented every falling edge on INT0N input pin									
C/T0 Timer0 counter/timer select : 0 : Timer 1 : Counter									
T1M1 /T0M1	T1M0 /T0M0	Mode	Function						
0	0	Mode0	13-bit Counter/Timer, with 5 lower bits in TL0 (TL1) register and 8 bits in TH0 (TH1) register (for Timer0 or Timer1, respectively). The 3 high-order bits of TL0 (TL1) are zeroed whenever Mode 0 is enabled. (Not auto-reload)						
0	1	Mode1	16-bit Counter/Timer. (Not auto-reload)						
1	0	Mode2	8-bit auto-reload Counter/Timer. The reload value is kept in TH0 (TH1), while TL0 (TL1) is incremented every clock cycle. Reloaded from TH0 (TH1) at overflow.						
1	1	Mode3	For Timer1: Timer1 is stopped. For Timer0: Timer0 acts as two independent 8 bit Timers / Counters – TL0, TH0. (Not auto-reload)						

12.4.3 TCON (Timer 0/1 Control Register)

TCON register is used to control operation of these modules. **MDRH40** includes two external digital interrupt sources (**INT0N** and **INT1N**), with dedicated interrupt sources. **INT0N** and **INT1N** are configurable as falling edge or low level. The **IT0** and **IT1** bits in **TCON** select level- or edge-sensitive. **IE0** and **IE1** in the **TCON** register serve as the interrupt-pending flags for the **INT0N** and **INT1N** external interrupts, respectively.

TCON		Address = 88H							Reset Value = 0000000B
Timer 0/1 Control Register									
	TF1	TR1	TF0	TR0	IE1	IT1	IE0	IT0	
Bit	7	6	5	4	3	2	1	0	
Type	R/W	R/W	R/W	R/W	R/W	R/W	R/W	R/W	
TF1	Timer1 overflow flag : Bit set by hardware when Timer1 overflows. This flag can be cleared by software and is automatically cleared when interrupt is processed.								
TR1	Timer1 run control : 0 : Stop 1 : Run								
TF0	Timer0 overflow flag : Bit set by hardware when Timer1 overflows. This flag can be cleared by software and is automatically cleared when interrupt is processed.								
TR0	Timer0run control : 0 : Stop 1 : Run								
IE1	External interrupt 1 flag : Set by hardware, when External interrupt (INT1N) is observed. Cleared by hardware when interrupt is processed.								
IT1	External interrupt 1 type control : 0 : External interrupt 1 is activated at low level on input pin 1 : External interrupt 1 is activated at falling edge on input pin								
IE0	External interrupt 0 flag : Set by hardware, when External interrupt (INT0N) is observed. Cleared by hardware when interrupt is processed.								
IT0	External interrupt 0 type control : 0 : External interrupt 0 is activated at low level on input pin 1 : External interrupt 0 is activated at falling edge on input pin								

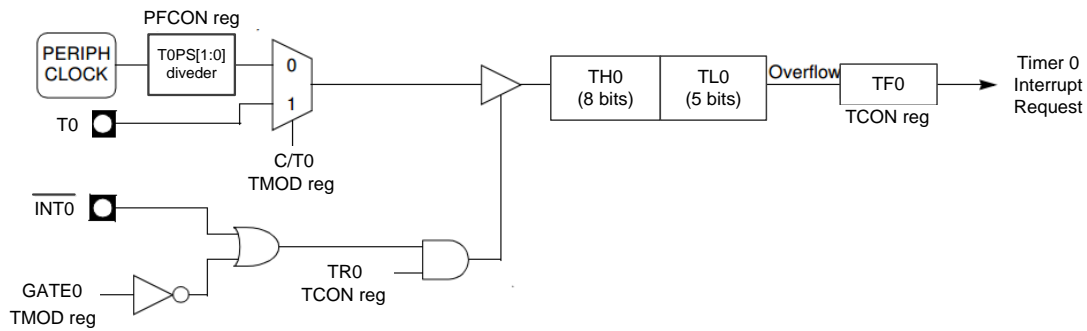
The **TF0**, **TF1** (**Timer0** and **Timer1** overflow flags), **IE0** and **IE1** (**External interrupt 0** and **1** flags) will be automatically cleared by hardware when the corresponding service routine is called.

12.4.4 T2CON (Timer2 Control Register)

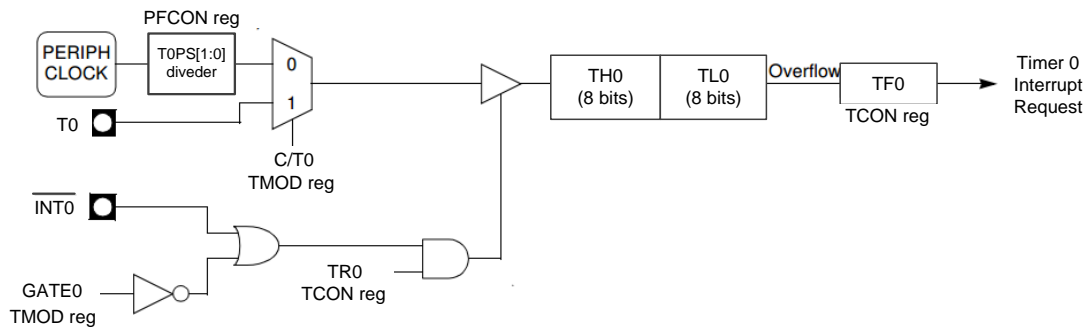
T2CON is used to control **Timer2**run/stop, mode, prescaler.

T2CON		Address = C8H Reset Value = 0000000B						
Timer2 Control Register								
Bit	7	6	5	4	3	2	1	0
Type	X	X	R/W	R/W	R/W	R/W	R/W	R/W
TF2	Timer2 overflow flag : Bit set by hardware when Timer2 overflows. This flag can be cleared by software and is automatically cleared when interrupt is processed.							
TR2	Timer2run control : 0 : Stop 1 : Run							
T2PS[1:0]	Timer2(T2) Prescaler select : 00 : F_PER/12 01 : F_PER 10 : F_PER/96 11 :-----							
T2M1	T2M0	Mode	Function					
0	0	Mode0	13-bit Timer, with 5 lower bits in TL2 register and 8 bits in TH2 register.(Not auto-reload)					
0	1	Mode1	16-bit Timer. (Not auto-reload)					
1	0	Mode2	8 -bit auto-reload Timer. The reload value is kept in TH2, while TL2 is incremented every clock cycle. Reloaded from TH2 at overflow.					
1	1	Mode3	8 bit Timers. (Not auto-reload)					

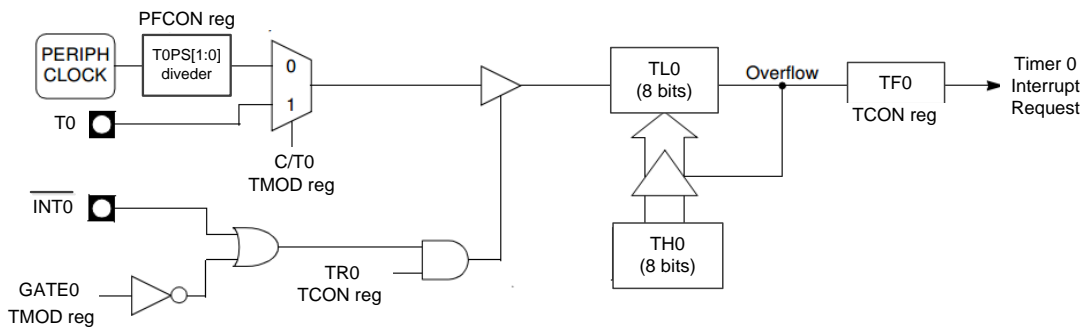
12.4.5 Timer0 Mode 0



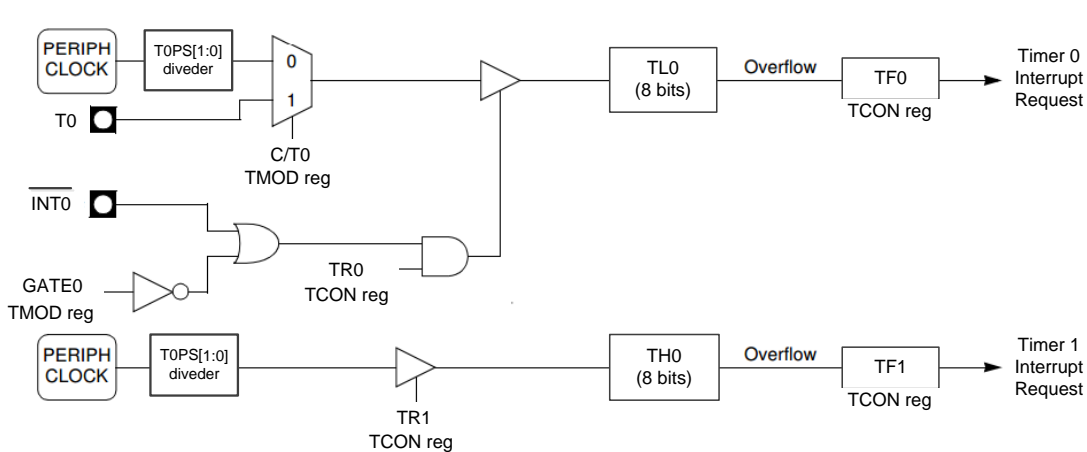
12.4.6 Timer0 Mode 1



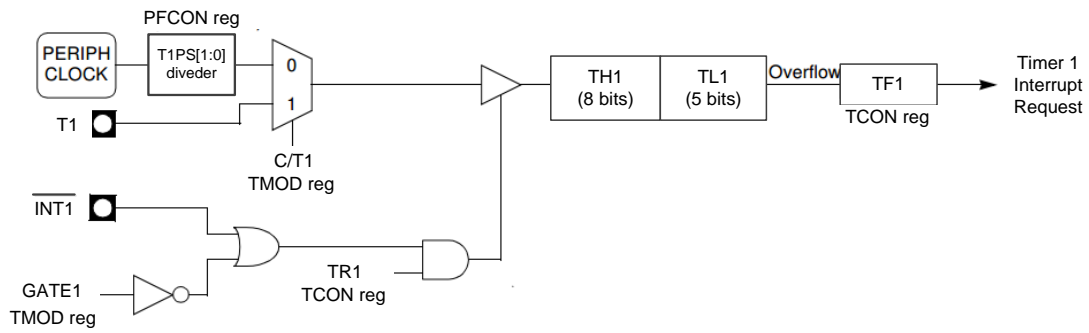
12.4.7 Timer0 Mode 2



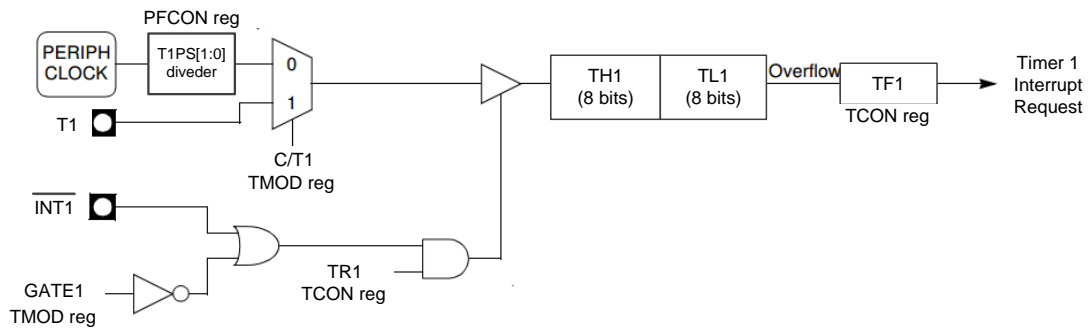
12.4.8 Timer0 Mode 3



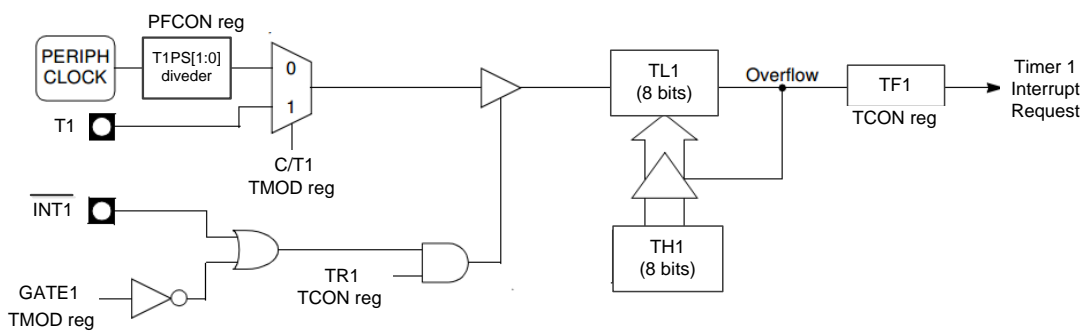
12.4.9 Timer1 Mode 0



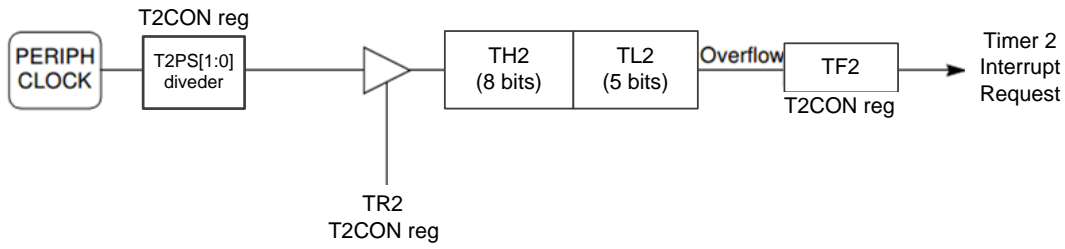
12.4.10 Timer1 Mode 1



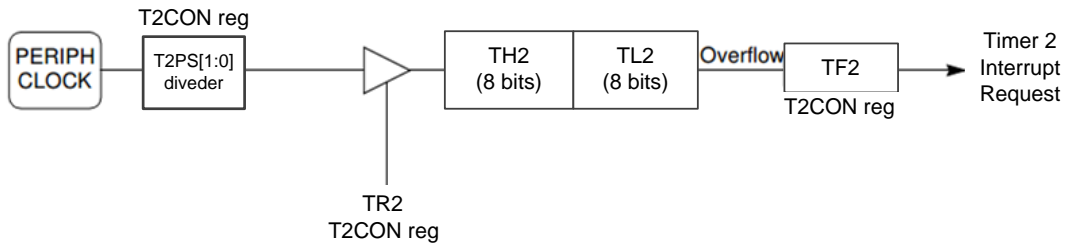
12.4.11 Timer1 Mode 2



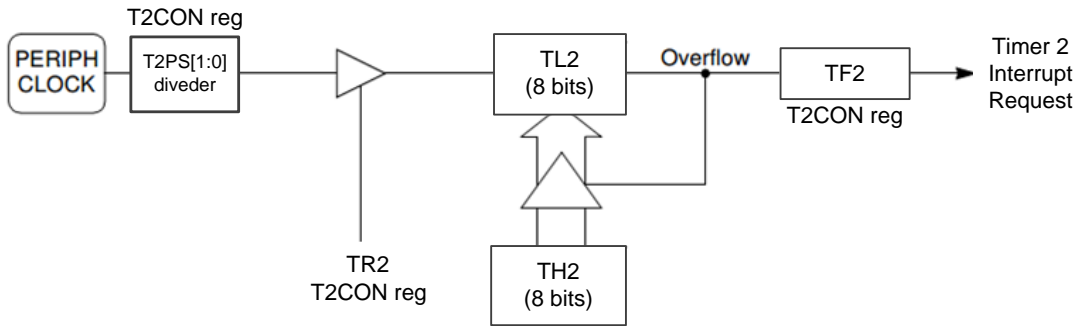
12.4.12 Timer2 Mode 0



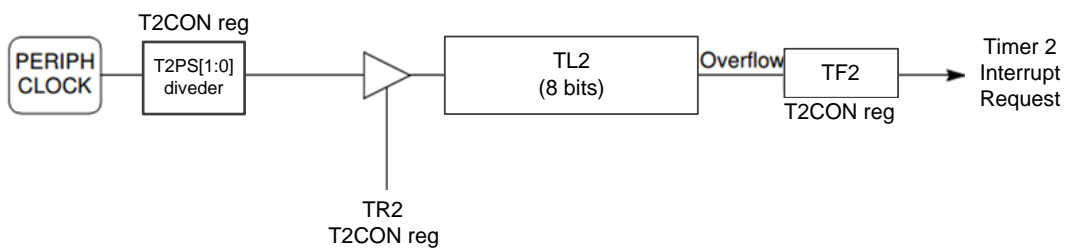
12.4.13 Timer2 Mode 1



12.4.14 Timer2 Mode 2



12.4.15 Timer2 Mode 3



12.5 Watchdog Timer

The Watchdog Timer (**WDT**) is a 8-bit free-running counter that generates a reset signal or interrupt (**WDTC.6**) if it over flows. It can help the application software to recover from an abnormal condition. The **WDT** is independent from **Timer0**, **Timer1**, or **Timer2**. The **F_WDT** is 375KHz, it is from on-chip RC oscillator.

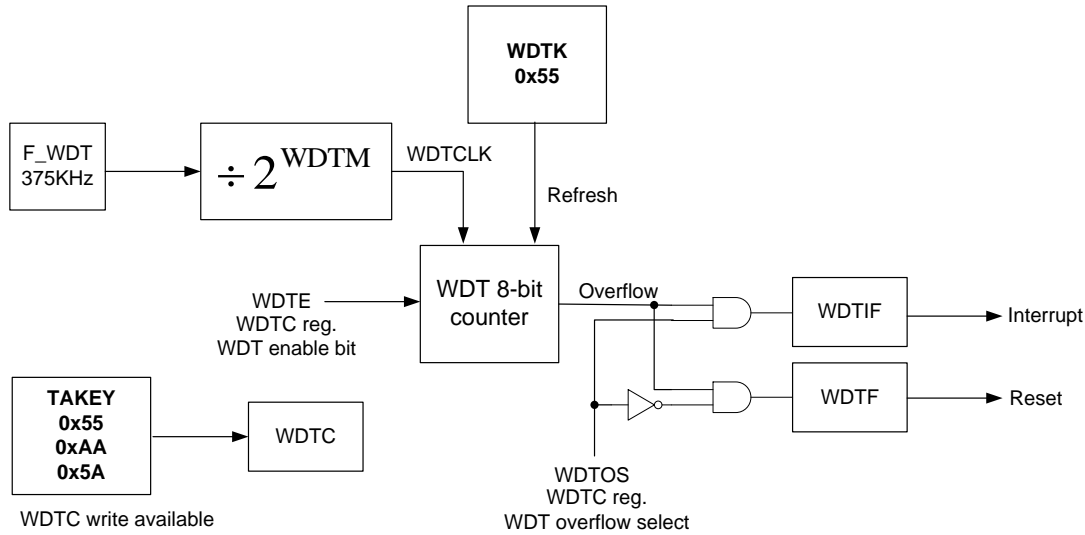


Figure 12.5.1 WDT block diagram

$$WDTCLK = F_WDT \times \frac{1}{2^{WDTM}}$$

$$WDT \text{ (8-bit counter) overflow time} = \frac{256}{WDTCLK}$$

SFR	Description	address	Reset value
RSTS	Reset Source Register	FEH	0AH
TAKEY	Time Access Key Register	FFH	00H
WDTC	Watchdog Timer Control Register	B6H	04H
WDTK	Watchdog Timer Refresh Key	B7H	00H

RSTS		Address = FEH		Reset Value = 00001010B				
Reset Source Register								
	-----	-----	-----	WDTRF	PINRF[1:0]		PORF[1:0]	
Bit	7	6	5	4	3	2	1	0
Type	X	X	X	R/W	R/W	R/W	R/W	R/W
WDTRF	Watchdog timer reset flag. This flag is set to 1 if the Watchdog Timer Reset caused the reset.							
PINRF[1:0]	\overline{RST} pin reset flag. This flag is set to 10b if the \overline{RST} pin caused the reset. Clear by firmware.							
PORF[1:0]	POR reset flag. This flag is set to 10b if the POR caused the reset. Clear by firmware.							

12.5.1 WDTC (Watchdog Timer Control Register)

WDTC		Address = B6H		Reset Value = 00000100B				
Watchdog Timer Control Register								
	-----	WDTOS	WDTE	-----	WDTM[3:0]			
Bit	7	6	5	4	3	2	1	0
Type	X	R/W	R/W	X	R/W	R/W	R/W	R/W
WDTOS	Watchdog timer overflow select : 0 : When WDT overflow, enable WDT reset. 1 : When WDT overflow, enable WDT interrupt.							
WDTE	Watchdog timer enable : 0 : Disable WDT. 1 : Enable WDT.							
WDTM[3:0]	WDT clock divider : $WDTCLK = 375KHz \times \frac{1}{2^{WDTM}}$ (default is 375KHz / 16)							

12.5.2 TAKEY (Time Access Key Register)

TAKEY		Address = FFH		Reset Value = 00000000B				
Time Access Key Register								
		TAKEY[7:0]						
Bit	7	6	5	4	3	2	1	0
Type	R/W	R/W	R/W	R/W	R/W	R/W	R/W	R/W
<p>WDTC default is read only, must write three specific values 55H, AAH and 5AH to the TAKEY enable the WDTC write available.</p> <p>The sequence is:</p> <pre>MOV TAKEY, #55h MOV TAKEY, #AAh MOV TAKEY, #5Ah</pre>								

12.5.3 WDTK (Watchdog Timer Refresh Key)

WDTK		Address = B7H		Reset Value = 00000000B				
Watchdog Timer Refresh Key								
		WDTK[7:0]						
Bit	7	6	5	4	3	2	1	0
Type	R/W	R/W	R/W	R/W	R/W	R/W	R/W	R/W
<p>The application must write 0x55 into the WDTK register, for the Watchdog timer to be cleared.</p>								

For example, enable the watchdog with a time-out reset period of 5.461ms.

Following write sequence:

```
MOV TAKEY, #55h
```

```
MOV TAKEY, #AAh
```

```
MOV TAKEY, #5Ah ; WDTC write is available.
```

```
MOV WDTC, #23h ; WDTM [3:0] = 0011b. WDTE =1 to enable the WDT.
```

```
MOV WDTK, #55h ;Refresh WDT.
```

12.6 Serial Port (UART)

The Serial Port provides a flexible full-duplex synchronous/asynchronous receiver/transmitter, called **UART**. The communication rate can be set by configuring the baud rate in **SFRs**. The two serial buffers consist of two separate registers, a transmit buffer and a receive buffer. Writing data to the SFR **SBUF**, transfers the data to the serial output buffer and starts the transmission. Reading from the **SBUF**, reads data from the serial receive buffer. The serial port can simultaneously transmit and receive data. It can also buffer 1 byte at receive, which prevents the receive data from being lost if the CPU reads the second byte before the transmission of the first byte is completed.

SFR	Description	address	Reset value
AUX	Auxiliary	8EH	11H
PFCON	Peripheral Frequency Control Register	D1H	00H
SCON	Serial Port Control Register	98H	00H
SBUF	Serial Port Data Buffer	99H	00H
SRELH	Serial Port Reload Register High	9BH	00H
SRELL	Serial Port Reload Register Low	9AH	00H

AUX		Address = 8EH							Reset Value = 00010001B	
Auxiliary Register										
	LVD_EN	LVD	----	ITS	SMOD	BRS	DPS	CP		
Bit	7	6	5	4	3	2	1	0		
Type	R/W	R	X	R/W	R/W	R/W	R/W	R		
LVD_EN	Low voltage detect enable : 1: Enable									
LVD	Low voltage detect status. : 1: Low voltage occur									
ITS	MCU instruction timing select. : 0:1T 1:2T									
SMOD	Serial Port (UART) baud rate select.									
BRS	Serial Port (UART) baud rate generator select.									
DPS	Data pointer register select : 0 : Select DPTR Register DP0H, DP0L 1 : Select DPTR Register DP1H, DP1L									

CP Code protect :
 0 : Non-protect
 1: Protect

PFCON Address = D1H Reset Value = 0000000B

Peripheral Frequency Control Register

	-----	-----	SRELPS[1:0]		T1PS[1:0]		T0PS[1:0]	
Bit	7	6	5	4	3	2	1	0
Type	X	X	R/W	R/W	R/W	R/W	R/W	R/W

SRELPS[1:0] Serial port (UART) Prescaler select :

00 :F_PER/64

01 :F_PER/32

10 :F_PER/16

11 :F_PER/8

T1PS[1:0] Timer1(T1) Prescaler select :

00 :F_PER/12

01 :F_PER

10 :F_PER/96

11 :-----

T0PS[1:0] Timer0(T0) Prescaler select :

00 : F_PER/12

01 : F_PER

10 : F_PER/96

11 :-----

12.6.1 SCON (Serial Port Control Register)

The **SCON** register controls the function of Serial Port (**UART**).

SCON		Address = 98H		Reset Value = 00000000B					
Serial Port Control Register		SM0	SM1	SM2	REN	TB8	RB8	TI	RI
Bit	Type	7	6	5	4	3	2	1	0
		R/W	R/W	R/W	R/W	R/W	R/W	R/W	R/W
SM0	SM1	Mode	Description	Baud Rate					
0	0	Mode 0	Shift register	F_PER/12					
0	1	Mode 1	8bit UART	Variable					
1	0	Mode 2	9bit UART	Depends on SMOD (AUX.3)					
				SMOD	Baud Rate				
				0	F_PER/64				
	1			1	F_PER/32				
1	1	Mode 3	9bit UART	Variable					
SM2	Multiprocessor communication enable								
REN	Serial reception enable : 0 : Serial reception at Serial Port is disabled. 1 : Serial reception at Serial Port is enabled.								
TB8	Transmitter bit 8 : This bit is used while transmitting data through Serial Port in Modes 2 and 3. The state of this bit corresponds with the state of the 9th transmitted bit (e.g. parity check or multiprocessor communication). It is controlled by software.								
RB8	Received bit 8 : This bit is used while receiving data through Serial Port 0 in Modes 2 and 3. It reflects the state of the 9th received bit. In Mode 1, if multiprocessor communication is enabled (sm2 = 0), this bit is the stop bit that was received. In Mode 0 this bit is not used.								
TI	Transmit interrupt flag : (completion of a serial transmission) It is set by hardware at the end of bit 8 in mode 0 or at the beginning of a stop bit in other modes. It must be cleared by software.								
RI	Receive interrupt flag : (It must be cleared by software.) It is set by hardware after completion of a serial reception at Serial Port 0. It is set by hardware at the end of bit 8 in mode 0 or in the middle of a stop bit in other modes.								

Serial Port working in modes 1 or mode 3:

When BRS = 0 (AUX.2)

TIPS[1:0] = 00b

$$\text{baud rate} = \frac{2^{\text{SMOD}}}{32 \times (256 - \text{TH1})} \times \frac{\text{F_PER}}{12}$$

TIPS[1:0] = 01b

$$\text{baud rate} = \frac{2^{\text{SMOD}}}{32 \times (256 - \text{TH1})} \times \text{F_PER}$$

TIPS[1:0] = 10b

$$\text{baud rate} = \frac{2^{\text{SMOD}}}{32 \times (256 - \text{TH1})} \times \frac{\text{F_PER}}{96}$$

When BRS = 1 (AUX.2)

SRELPS[1:0] = 00b

$$\text{baud rate} = \frac{2^{\text{SMOD}}}{2^{10} - \text{SREL}[\text{H,L}]} \times \frac{\text{F_PER}}{64}$$

SRELPS [1:0] = 01b

$$\text{baud rate} = \frac{2^{\text{SMOD}}}{2^{10} - \text{SREL}[\text{H,L}]} \times \frac{\text{F_PER}}{32}$$

SRELPS [1:0] = 10b

$$\text{baud rate} = \frac{2^{\text{SMOD}}}{2^{10} - \text{SREL}[\text{H,L}]} \times \frac{\text{F_PER}}{16}$$

SRELPS [1:0] = 11b

$$\text{baud rate} = \frac{2^{\text{SMOD}}}{2^{10} - \text{SREL}[\text{H,L}]} \times \frac{\text{F_PER}}{8}$$

12.6.2 SBUF (Serial Port Data Buffer)

Writing data to this register sets data in serial output buffer and starts the transmission through Serial Port. Reading from the **SBUF**, reads data from the serial receive buffer.

SBUF		Address = 99H		Reset Value = 0000000B				
Serial Port Data Buffer		SBUF[7:0]						
Bit	7	6	5	4	3	2	1	0
Type	R/W	R/W	R/W	R/W	R/W	R/W	R/W	R/W

12.6.3 SREL (Serial Port Reload Register)

Serial Port Reload Register is used for Serial Port baud rate generation. Only 10 bits are used, where 8 bits from the **SRELL** as lower bits and 2 bits from the **SRELH** (SRELH.1, SRELH.0) as higher bits.

SRELH		Address = 9BH		Reset Value = 0000000B				
Serial Port Reload Register High		SREL[7:0]						
Bit	7	6	5	4	3	2	1	0
Type	X	X	X	X	X	X	R/W	R/W

SRELL		Address = 9AH		Reset Value = 0000000B				
Serial Port Reload Register Low		SREL[7:0]						
Bit	7	6	5	4	3	2	1	0
Type	R/W	R/W	R/W	R/W	R/W	R/W	R/W	R/W

12.7 Power Management

The Power Control Register (**PCON**) is used to control the **MDRH40 STOP** and **IDLE** power management modes.

PCON		Address = 87H		Reset Value = 00000000B				
Power Control Register								
Bit	7	6	5	4	3	2	1	0
Type	X	X	X	X	X	X	R/W	R/W
STOP	Stop mode bit. Setting this bit activates STOP operation. (read as 0)							
IDLE	Idle mode bit. Setting this bit activates IDLE mode operation. (read as 0)							

12.7.1 STOP MODE

Setting the **STOP** Mode Select bit (**PCON.1**) causes the controller core to enter **STOP** mode as soon as the instruction that sets the bit completes execution. In **STOP** mode the CPU, GPIO, UART, and Timers are stopped, but the ADC, MOC, and WDT is still work.

STOP mode can terminate by an internal or external reset. On reset, the device performs the normal reset sequence and begins program execution at address 0x0000.

The assertion of an enabled interrupt will cause the **STOP** Mode Selection bit (**PCON.1**) to be cleared and the CPU to resume operation.

12.7.2 IDLE MODE

Setting the **IDLE** Mode Select bit (**PCON.0**) causes the hardware to halt the CPU and enter **IDLE** mode as soon as the instruction that sets the bit completes execution.

In **IDLE** mode only the CPU is stop. All internal registers and memory maintain their original data.

IDLE mode can terminate by an internal or external reset. On reset, the device performs the normal reset sequence and begins program execution at address 0x0000.

The assertion of an enabled interrupt will cause the **IDLE** Mode Selection bit (**PCON.0**) to be cleared and the CPU to resume operation.

12.8 Reset

The reset logic is used to place the device into a known state.

MDRH40 provides Power-on Reset flag, External Reset **RSTN** flag and Watchdog timer Reset flag to monitor reset status. The source of the reset can be monitor.

12.8.1 RSTS (Reset Source Register)

RSTS		Address = FEH		Reset Value = 00001010B				
Reset Source Register								
	-----	-----	-----	WDTRF	PINRF[1:0]		PORF[1:0]	
Bit	7	6	5	4	3	2	1	0
Type	X	X	X	R/W	R/W	R/W	R/W	R/W
WDTRF	Watchdog timer reset flag. This flag is set to 1 if the Watchdog Timer Reset caused the reset.							
PINRF[1:0]	RSTN pin reset flag. This flag is set to 10b if the RSTN pin caused the reset. Clear by firmware.							
PORF[1:0]	POR reset flag. This flag is set to 10b if the POR caused the reset. Clear by firmware.							

12.9 Interrupt Controller

The **ISR** - Interrupt Service Routine unit, is a subcomponent responsible for interrupt handling. It receives up to **14** interrupt requests. Each interrupt source has its own request flag that is located in devices which is a source of interrupt. No interrupt request flags are located directly in **ISR**. All interrupts are requested by high level on correspondent inputs to **ISR**. Each of the interrupt sources can be individually enabled or disabled by corresponding enable flag in **IEN0**, **IEN1** SFR registers. Additionally all interrupts can be globally enabled or disabled by the —**EA** flag in the **IEN0** SFR. All interrupt sources are divided into 6 interrupts groups. Each of the interrupt groups can have one of four interrupt priority levels assigned. The interrupt priority level is defined by flags located in the **IP0** and **IP1** SFR registers.

Interrupt Number (use Keil C Tool)	Interrupt Vector Address	Interrupt Request Flags
0	0003H	-----
1	000BH	TF0 – Timer0 interrupt
2	0013H	IE1 – External interrupt 1
3	001BH	TF1 – Timer1 interrupt
4	0023H	SPIF(TI, RI)– Serial port interrupt
5	002BH	TF2 – Timer2 interrupt
6	0033H	-----
7	003BH	-----
8	0043H	OCPSIF – OCP Short interrupt
9	004BH	HALLIF – HALL interrupt
10	0053H	MPWMMINIF–MPWM MIN interrupt
11	005BH	MPWMMAXIF–MPWM MAX interrupt
12	0063H	GPWMMAXIF – GPWM MAX interrupt
13	006BH	LVDIF – Low voltage detect interrupt
14	0073H	WDTIF – Watchdog timer interrupt
15	007BH	OCPLIF – OCP Limit interrupt

Table 12.9.1 Interrupt vectors

Group priority	Interrupt Group	Highest priority in group		Lowest priority in group
Highest	Group0	LVDIF	IE0	-----
	Group1	WDTIF	TF0	-----
	Group2	OCPSIF	HALLIF	IE1
	Group3	MPWMMINIF	MPWMMAXIF	TF1
	Group4	GPWMMAXIF	SPIF(TI, RI)	-----
Lowest	Group5	OCPLIF	TF2	-----

Table12.9.2 Interrupt Priority Groups

SFR	Description	address	Reset value
IEN0	Interrupt Enable Register 0	A8H	00H
IEN1	Interrupt Enable Register 1	B8H	00H
IRCON1	Interrupt Request Register 1	C0H	00H
IP0	Interrupt Priority Register 0	A9H	00H
IP1	Interrupt Priority Register 1	B9H	00H

12.9.1 IEN0 (Interrupt Enable Register 0)

IEN0		Address = A8H		Reset Value = 0000000B				
Interrupt Enable Register 0								
	EA	----	ET2	ESP	ET1	EX1	ET0	EX0
Bit	7	6	5	4	3	2	1	0
Type	R/W	X	R/W	R/W	R/W	R/W	R/W	R/W
EA	Interrupts enable : 0 :Disable All interrupts. 1 :Enable interrupt.							
ET2	Timer2 interrupt enable: 0 :Disable Timer2 overflow interrupt. 1 :When EA = 1, enable Timer2 overflow interrupt.							
ESP	Serial port interrupt enable: 0 :Disable Serial port interrupt. 1 :When EA = 1, enable Serial port interrupt.							
ET1	Timer1 interrupt enable: 0 :Disable Timer1 overflow interrupt. 1 :When EA = 1, enable Timer1 overflow interrupt.							
EX1	External interrupt 1 enable: 0 :Disable External interrupt 1. 1 :When EA = 1, enable External interrupt 1.							
ET0	Timer0 interrupt enable: 0 :Disable Timer0 overflow interrupt. 1 :When EA = 1, enable Timer0 overflow interrupt.							
EX0	External interrupt 0 enable: 0 :Disable External interrupt 0. 1 :When EA = 1, enable External interrupt 0.							

12.9.2 IEN1 (Interrupt Enable Register 1)

IEN1		Address = B8H		Reset Value = 0000000B				
Interrupt Enable Register 1								
	OCPLIE	WDTIE	LVDIE	GPWMIE	MPWMMAXIE	MPWMMINIE	HALLIE	OCPSIE
Bit	7	6	5	4	3	2	1	0
Type	R/W	R/W	R/W	R/W	R/W	R/W	R/W	R/W
OCPLIE	OCP (Over current protect) Limit interrupt enable: 0 :Disable OCP Limit interrupt . 1 :When EA = 1, enable OCP Limit interrupt.							
WDTIE	Watchdog timer interrupts enable : 0 :Disable WDT interrupt. 1 :When EA = 1 and WDTOS = 1, enable WDT overflow interrupt.							
LVDIE	LVD (Low voltage detect) interrupt enable: 0 :Disable LVD interrupt. 1 :When EA = 1, enable LVD interrupt.							
GPWMIE	GPWM interrupt enable: 0 :Disable GPWM interrupt. 1 :When EA = 1, enable GPWM interrupt.							
MPWMMAXIE	MPWM maximum interrupt enable: 0 :Disable MPWM maximum interrupt. 1 :When EA = 1, enable MPWM maximum interrupt.							
MPWMMINIE	MPWM minimum interrupt enable: 0 :Disable MPWM minimum interrupt . 1 :When EA = 1, enable MPWM minimum interrupt.							
HALLIE	HALL interrupt enable: 0 :Disable HALL interrupt. 1 :When EA = 1, enable HALL interrupt.							
OCPSIE	OCP (Over current protect) Short interrupt enable: 0 :Disable OCP Short interrupt . 1 :When EA = 1, enable OCP Short interrupt.							

12.9.3 IRCON1 (Interrupt Request Register 1)

IRCON1		Address = C0H		Reset Value = 0000000B				
Interrupt Request Register 1								
	OCPLIF	WDTIF	LVDIF	GPWMIF	MPWMMAXIF	MPWMMINIF	HALLIF	OCPSIF
Bit	7	6	5	4	3	2	1	0
Type	R/W	R/W	R/W	R/W	R/W	R/W	R/W	R/W
OCPLIF OCP Limit interrupt flag.								
WDTIF Watchdog timer interrupts flag.								
LVDIF LVD (Low voltage detect) interrupt flag.								
GPWMIF GPWM interrupt flag.								
MPWMMAXIF MPWM maximum interrupt flag.								
MPWMMINIF MPWM minimum interrupt flag.								
HALLIF HALL interrupt flag.								
OCPSIF OCP Short interrupt flag.								

12.9.4 IP (Interrupt Priority Register)

The 14 interrupt sources are grouped into 6 priority groups. For each of the groups, one of four priority levels can be selected. It is achieved by setting appropriate values in **IP0** and **IP1** registers. The contents of the Interrupt Priority Registers define the priority levels for each interrupt source according to the tables below.

IP0		Address = A9H		Reset Value = 0000000B				
Interrupt Priority Register 0								
	----	----	G5IP0	G4IP0	G3IP0	G2IP0	G1IP0	G0IP0
Bit	7	6	5	4	3	2	1	0
Type	X	X	R/W	R/W	R/W	R/W	R/W	R/W
G5IP0 Group5 interrupt priority bit 0								
G4IP0 Group4 interrupt priority bit 0								
G3IP0 Group3 interrupt priority bit 0								
G2IP0 Group2 interrupt priority bit 0								
G1IP0 Group1 interrupt priority bit 0								
G0IP0 Group0 interrupt priority bit 0								

IP1		Address = B9H		Reset Value = 0000000B				
Interrupt Priority Register 1								
	-----	-----	G5IP1	G4IP1	G3IP1	G2IP1	G1IP1	G0IP1
Bit	7	6	5	4	3	2	1	0
Type	X	X	R/W	R/W	R/W	R/W	R/W	R/W
G5IP1	Group5 interrupt priority bit 1							
G4IP1	Group4 interrupt priority bit 1							
G3IP1	Group3 interrupt priority bit 1							
G2IP1	Group2 interrupt priority bit 1							
G1IP1	Group1 interrupt priority bit 1							
G0IP1	Group0 interrupt priority bit 1							

Level	Priority	GxIP1	GxIP0
Level 0	Lowest	0	0
Level 1		0	1
Level 2		1	0
Level 3	Highest	1	1

13. 10-bit Analog-to-Digital Converter (ADC)

The **MDRH40** provides eight channels 10-bit ADC. The result of the conversion is provided at **ADCD** [9:0].

SFR	Description	address	Reset value
ADCCONT	ADC Control Register	D2H	80H
ADCSTR	ADC Start Convert and Setting Register	D3H	00H
ADCD1	ADC Data Register 1	D5H	00H
ADCD2	ADC Data Register 2	D6H	00H

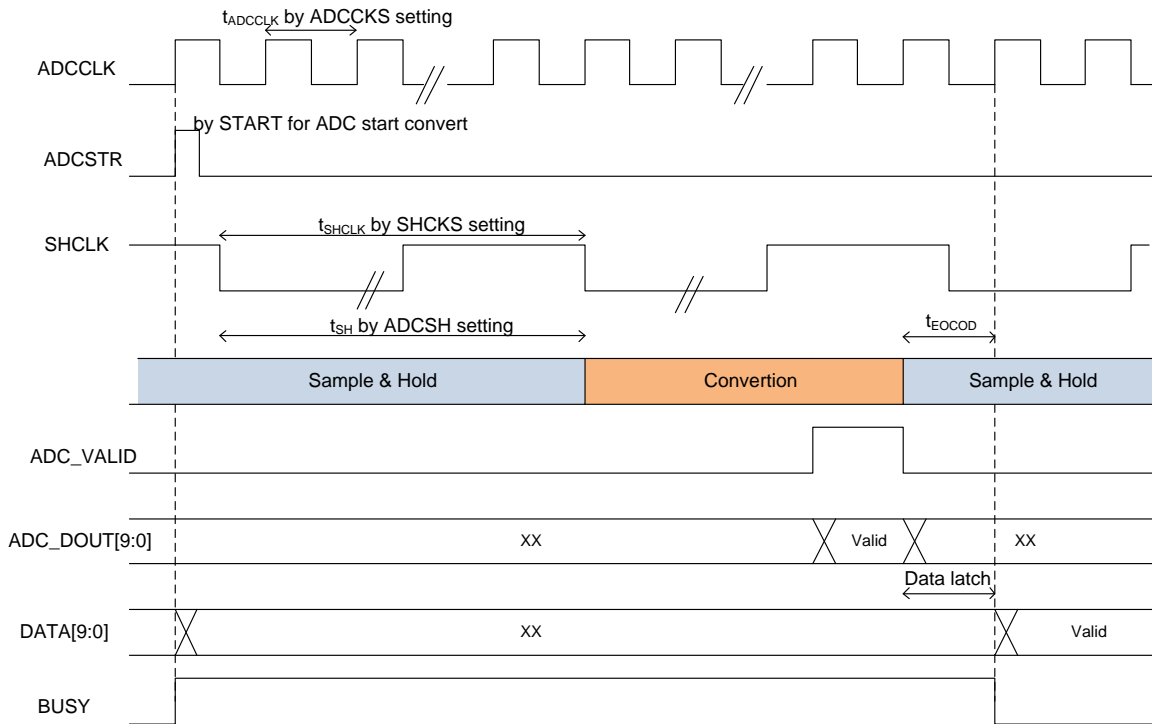


Figure13.1 ADC conversion timing

13.1 ADCCONT (ADC Control Register)

ADCCONT		Address = D2H							Reset Value = 1000000B	
ADC Control Register										
	ADCPD	ADCSH[1:0]		ADCDS	ADCCKS	ADCCH[2:0]				
Bit	7	6	5	4	3	2	1	0		
Type	R/W	R/W	R/W	R/W	R/W	R/W	R/W	R/W	R/W	
ADCPD	ADC power down control register :									
	0 : Normal									
	1 : Power down									
ADCSH[1:0]	ADC sample and hold time : (base on SHCLK)									
	00 : 1 clock									
	01 : 2 clock									
	10 : 3 clock									
	11 : 4 clock									
ADCDS	ADC data select :									
		MSB	10 bit result				LSB			
0 :	ADCD2[7:0]		ADCD1.1		ADCD1.0					
1 :	ADCD1.1		ADCD1.0		ADCD2[7:0]					
ADCCKS	ADC conversion clock select : (ADCCLK)									
	0 : 4MHz									
	1 : 2MHz									
ADCCH[2:0]	ADC conversion channel select :									
	000:CH0			100:CH4						
	001: Reserve			101: Reserve						
	010:CH2			110:CH6						
	011 : Reserve			111 :Reserve						

13.2 ADCSTR (ADC Start Convert and Setting Register)

ADCSTR		Address = D3H Reset Value = 0000000B						
ADC Start Convert and Setting Register								
	SHCKS[1:0]		----	BUSY	----	----	----	START
Bit	7	6	5	4	3	2	1	0
Type	R/W	R/W	X	R	X	X	X	W
SHCKS[1:0] ADC sample and hold clock select : (SHCLK) 00 : 1MHz 01 : 500KHz 10 : 400KHz 11 : 333KHz								
BUSY ADC conversion busy flag : 0 : ADC conversion finish 1 : ADC conversion busy								
START ADC start conversion register : (write 1 only) 1 : ADC start conversion								

13.3 ADCD1 (ADC Data Register 1)

ADCD1		Address = D5H Reset Value = 00000000B						
ADC Data Register 1								
	----	----	----	----	----	----	ADCD1.1	ADCD1.0
Bit	7	6	5	4	3	2	1	0
Type	R	R	R	R	R	R	R	R

13.4 ADCD2 (ADC Data Register 2)

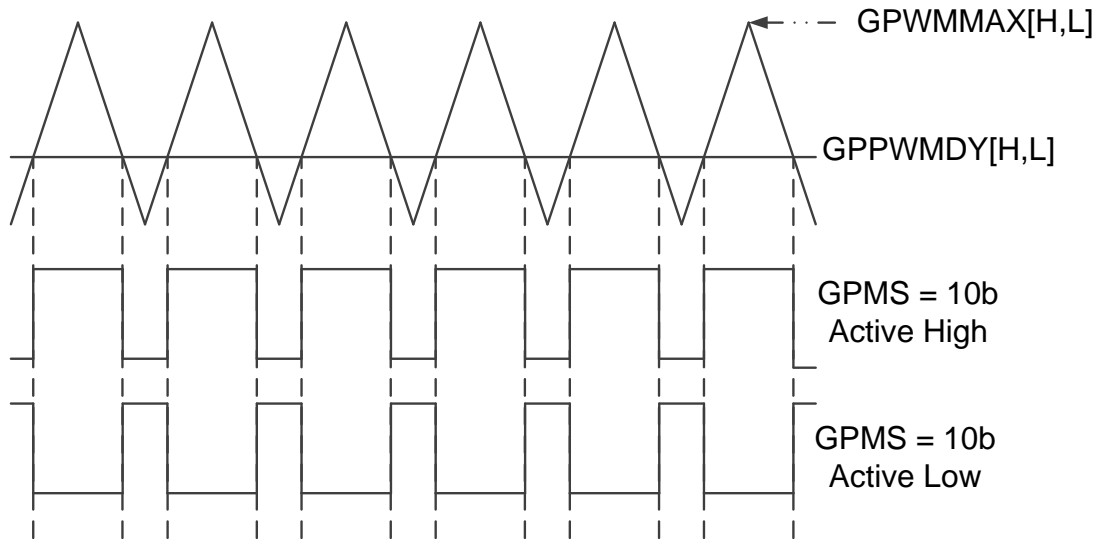
ADCD2		Address = D6H Reset Value = 00000000B						
ADC Data Register 2								
	ADCD2[7:0]							
Bit	7	6	5	4	3	2	1	0
Type	R	R	R	R	R	R	R	R

14. General PWM (GPWM)

MDRH40 have one 16-bit general PWM output (**PINSET6.4 = '1'**) and six 11-bit PWM (compensation with Deadband) for Motor Controller.

GPWM is count up and down timer.(fixed)

SFR	Description	address	Reset value
GPWMCONT	General PWM Control Register	BAH	00H
GPWMMAXH	General PWM Max Register High	BCH	00H
GPWMMAXL	General PWM Max Register Low	BBH	02H
GPWMDYH	General PWM Duty Register High	BEH	FFH
GPWMDYL	General PWM Duty Register Low	BDH	FFH



14.1 GPWMCONT (General PWM Control Register)

GPWMCONT		Address = BAH		Reset Value = 00000000B				
General PWM Control Register								
	GPWMTR	GPMS[1:0]		----	----	----	GPCKS[1:0]	
Bit	7	6	5	4	3	2	1	0
Type	R/W	R/W	R/W	X	X	X	R/W	R/W
GPWMTR	GPWM timer run control :							
	0 : Stop							
	1: Run							
GPMS[1:0]	GPWM output mode select							
(SYNC)	00 : Force Low							
	01 : Force High							
	10 : Active High							
	11 : Active Low							
GPCKS[1:0]	GPWM clock select :							
(SYNC)	00 : 48MHz							
	01 : 48MHz/2							
	10 : 48MHz/4							
	11 : 48MHz/8							

14.2 GPWMMAX (General PWM Max Register)

GPWMMAXH (SYNC)		Address = BCH		Reset Value = 00000000B				
General PWM Max Register High								
	GPWMMAXH[7:0]							
Bit	7	6	5	4	3	2	1	0
Type	R/W	R/W	R/W	R/W	R/W	R/W	R/W	R/W

GPWMMAXL (SYNC)		Address = BBH		Reset Value = 00000010B				
General PWM Max Register Low								
	GPWMMAXL[7:0]							
Bit	7	6	5	4	3	2	1	0
Type	R/W	R/W	R/W	R/W	R/W	R/W	R/W	R/W

14.3 GPWMDY (General PWM Duty Register)

GPWMDYH (SYNC) Address = BEH Reset Value = 11111111B

General PWM Duty Register High

		GPWMDYH[7:0]							
Bit		7	6	5	4	3	2	1	0
Type		R/W	R/W	R/W	R/W	R/W	R/W	R/W	R/W

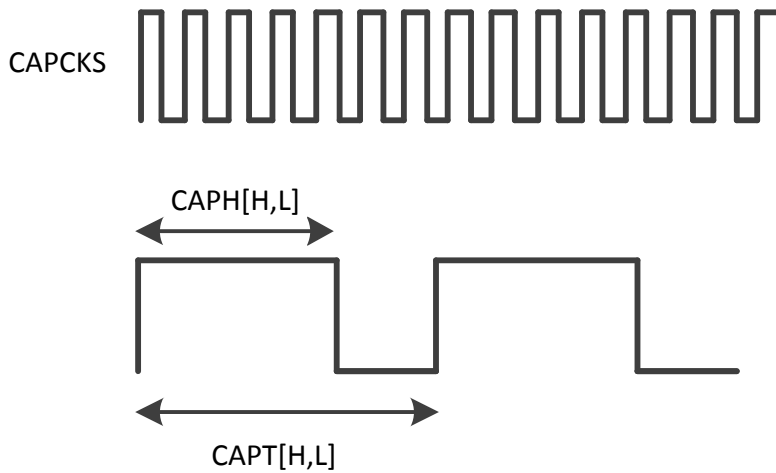
GPWMDYL (SYNC) Address = BDH Reset Value = 11111111B

General PWM Duty Register Low

		GPWMDYL[7:0]							
Bit		7	6	5	4	3	2	1	0
Type		R/W	R/W	R/W	R/W	R/W	R/W	R/W	R/W

15. Capture

SFR	Description	address	Reset value
CAPCONT	Capture Control Register	D8H	03H
CAPH_H	Capture High-level Count High	CBH	00H
CAPH_L	Capture High-level Count Low	CCH	00H
CAPT_H	Capture Total Count High	C9H	00H
CAPT_L	Capture Total Count Low	CAH	00H



15.1 CAPCONT (Capture Control Register)

CAPCONT		Address = D8H		Reset Value = 00000011B				
Capture Control Register								
	----	----	----	CAPPINSEL	----	CAPCKS[2:0]		
Bit	7	6	5	4	3	2	1	0
Type	X	X	X	R/W	X	R/W	R/W	R/W
CAPPINSEL	Capture input pin select :							
	0 : disable //CAP2(PIN CH7)							
	1: CAP1(PINCH0)							
CAPCKS[2:0]	Capture clock select :							
	000 : 48MHz/4				100 : 48MHz/64			
	001 : 48MHz/8				101 : 48MHz/128			
	010 : 48MHz/16				110 : 48MHz/256			
	011 : 48MHz/32				111 : 48MHz/512			

15.2 CAPT (Capture Total Count)

CAPT_H		Address = C9H		Reset Value = 00000000B					
Capture Total Count High		CAPT[15:8]							
Bit	7	6	5	4	3	2	1	0	
Type	R	R	R	R	R	R	R	R	

CAPT_L		Address = CAH		Reset Value = 00000000B					
Capture Total Count Low		CAPT[7:0]							
Bit	7	6	5	4	3	2	1	0	
Type	R	R	R	R	R	R	R	R	

15.3 CAPH (Capture High-level Count)

CAPH_H		Address = CBH		Reset Value = 00000000B					
Capture High-level Count High		CAPH[15:8]							
Bit	7	6	5	4	3	2	1	0	
Type	R	R	R	R	R	R	R	R	

CAPH_L		Address = CCH		Reset Value = 00000000B					
Capture High-level Count Low		CAPH[7:0]							
Bit	7	6	5	4	3	2	1	0	
Type	R	R	R	R	R	R	R	R	

16. Addition and Subtraction Unit (ASU)

ASU provides 32-bit Addition and Subtraction calculation.

SFR	Description	address	Reset value
AS_MD_CONT	ASU and MDU Control Register	E1H	10H
ASUD1_1	ASU Data 1 byte 1	E8H	00H
ASUD1_2	ASU Data 1 byte 2	E9H	00H
ASUD1_3	ASU Data 1 byte 3	EAH	00H
ASUD1_4	ASU Data 1 byte 4	EBH	00H
ASUD2_1	ASU Data 2 byte 1	ECH	00H
ASUD2_2	ASU Data 2 byte 2	EDH	00H
ASUD2_3	ASU Data 2 byte 3	EEH	00H
ASUD2_4	ASU Data 2 byte 4	EFH	00H
ASUR1	ASU Result Register 1	DCH	00H
ASUR2	ASU Result Register 2	DDH	00H
ASUR3	ASU Result Register 3	DEH	00H
ASUR4	ASU Result Register 4	DFH	00H

	MSB			LSB
ASUD1	ASUD1_4	ASUD1_3	ASUD1_2	ASUD1_1
ASUD2	ASUD2_4	ASUD2_3	ASUD2_2	ASUD2_1
ASUR	ASUR4	ASUR3	ASUR2	ASUR1

Addition Calculation (AS_MD_CONT.0 = 0)	ASUR = ASUD1 + ASUD2	ASUR4 limit at 0x7F
Subtraction Calculation (AS_MD_CONT.0 = 1)	ASUR = ASUD1 – ASUD2	ASUR4 limit at 0x81

16.1 AS_MD_CONT (ASU and MDU Control Register)

AS_MD_CONT		Address = E1H		Reset Value = 00010000B					
ASU and MDU Control Register									
		----	----	----	MDUF	----	----	MDUS	ASUS
Bit		7	6	5	4	3	2	1	0
Type		X	X	X	R	X	X	R/W	R/W
MDUF	MDU finish flag :								
	0 : MDU busy.								
	1 : MDU calculation finished.								
MDUS	MDU Signed select :								
	0 :Signed calculation.								
	1 :Unsigned calculation.								
ASUS	ASU Subtraction select :								
	0 : Addition calculation.								
	1: Subtraction calculation.								

16.2 ASUD1 (ASU Data 1)

ASUD1_1		Address = E8H		Reset Value = 00000000B					
		ASUD1_1[7:0]							
Bit		7	6	5	4	3	2	1	0
Type		R/W	R/W	R/W	R/W	R/W	R/W	R/W	R/W

ASUD1_2		Address = E9H		Reset Value = 00000000B					
		ASUD1_2[7:0]							
Bit		7	6	5	4	3	2	1	0
Type		R/W	R/W	R/W	R/W	R/W	R/W	R/W	R/W

ASUD1_3		Address = EAH		Reset Value = 00000000B					
		ASUD1_3[7:0]							
Bit		7	6	5	4	3	2	1	0
Type		R/W	R/W	R/W	R/W	R/W	R/W	R/W	R/W

ASUD1_4		Address = EBH							Reset Value = 00000000B
		ASUD1_4[7:0]							
Bit	7	6	5	4	3	2	1	0	
Type	R/W	R/W	R/W	R/W	R/W	R/W	R/W	R/W	

16.3 ASUD2 (ASU Data 2)

ASUD2_1		Address = ECH							Reset Value = 00000000B
		ASUD2_1[7:0]							
Bit	7	6	5	4	3	2	1	0	
Type	R/W	R/W	R/W	R/W	R/W	R/W	R/W	R/W	

ASUD2_2		Address = EDH							Reset Value = 00000000B
		ASUD2_2[7:0]							
Bit	7	6	5	4	3	2	1	0	
Type	R/W	R/W	R/W	R/W	R/W	R/W	R/W	R/W	

ASUD2_3		Address = EEH							Reset Value = 00000000B
		ASUD2_3[7:0]							
Bit	7	6	5	4	3	2	1	0	
Type	R/W	R/W	R/W	R/W	R/W	R/W	R/W	R/W	

ASUD2_4		Address = EFH							Reset Value = 00000000B
		ASUD2_4[7:0]							
Bit	7	6	5	4	3	2	1	0	
Type	R/W	R/W	R/W	R/W	R/W	R/W	R/W	R/W	

16.4 ASUR (ASU Result Register)

ASUR1		Address = ECH Reset Value = 00000000B							
		ASUR1[7:0]							
Bit		7	6	5	4	3	2	1	0
Type		R/W	R/W	R/W	R/W	R/W	R/W	R/W	R/W

ASUR2		Address = EDH Reset Value = 00000000B							
		ASUR2[7:0]							
Bit		7	6	5	4	3	2	1	0
Type		R/W	R/W	R/W	R/W	R/W	R/W	R/W	R/W

ASUR3		Address = EEH Reset Value = 00000000B							
		ASUR3[7:0]							
Bit		7	6	5	4	3	2	1	0
Type		R/W	R/W	R/W	R/W	R/W	R/W	R/W	R/W

ASUR4		Address = EFH Reset Value = 00000000B							
		ASUR4[7:0]							
Bit		7	6	5	4	3	2	1	0
Type		R/W	R/W	R/W	R/W	R/W	R/W	R/W	R/W

17. Multiplication and Division Unit (MDU)

The **MDU** is an on-chip arithmetic co-processor which enables the **MDRH40** to perform additional extended arithmetic operations. All operations are signed/unsigned integer operations. Operands and results are stored in **MD0–MD5** registers. The module is controlled by the **AS_MD_CONT** and **MD_CONT** register. Any calculation of the **MDU** overwrites its operands. The **MDU** support five operations: Division 32-bit/16-bit, Division 16-bit/16-bit, Multiplication, Shift and Normalize.

SFR	Description	address	Reset value
AS_MD_CONT	ASU and MDU Control Register	E1H	10H
MD_CONT	MDU Control Register	DBH	00H
MD0	Multiplication Division Register 0	E2H	00H
MD1	Multiplication Division Register 1	E3H	00H
MD2	Multiplication Division Register 2	E4H	00H
MD3	Multiplication Division Register 3	E5H	00H
MD4	Multiplication Division Register 4	E6H	00H
MD5	Multiplication Division Register 5	E7H	00H

17.1 AS_MD_CONT (ASU and MDU Control Register)

AS_MD_CONT		Address = E1H Reset Value = 00010000B							
ASU and MDU Control Register									
Bit	7	6	5	MDUF	4	3	2	MDUS	ASUS
Type	X	X	X	R	X	X	X	R/W	R/W
MDUF	MDU finish flag : 0 : MDU busy. 1 : MDU calculation finished.								
MDUS	MDU Signed select : 0 :Signed calculation. 1 :Unsigned calculation.								
ASUS	ASU Subtraction select : 0 : Addition calculation. 1: Subtraction calculation.								

17.2 MD_CONT (MDU Control Register)

MD_CONT		Address = DBH Reset Value = 00010000B						
MDU Control Register								
	MDEF	MDOV	SLR	SC[4:0]				
Bit	7	6	5	4	3	2	1	0
Type	R	R	R/W	R/W	R/W	R/W	R/W	R/W
MDEF	MDU Error flag : Indicates an improperly performed operation (when one of the arithmetic operations has been restarted or interrupted by a new operation).							
MDOV	MDU Overflow flag : Overflow occurrence in the MDU operation.							
SLR	Shift direction : 0 : shift left operation 1 : shift right operation							
SC[4:0]	Shift counter : When set to all '0's, normalize operation is selected. After normalization, the SC[4:0] contain the number of normalizing shifts performed. When at least one of these bit is set high shift operation is selected. The number of shifts performed is determined by the number written to SC[4:0], where SC.4 is the MSB.							

17.2.1 MDEF

The **MDEF** error flag indicates an improperly performed operation (when one of the arithmetic operations has been restarted or interrupted by a new operation). The error flag mechanism is automatically enabled with the first write operation to **MD0** and disabled with the final read instruction from **MD3** (multiplication or shift/norm) or **MD5** (division) in phase three.

The error flag is set when:

There is a write access to MDx registers (any of **MD0-MD5** and **MD_CONT**) during phase two of **MDU** operation (restart or calculations interrupting) There is a read access to one of MDx registers during phase two of **MDU** operation when the error flag mechanism is enabled. In such condition error flag is set but the calculation is not interrupted. The error flag is reset only after read access to **MD_CONT** register. The error flag is read only.

17.2.2 MDOV

The **MDOV** overflow flag is set when one of the following conditions occurs: Division by zero

Multiplication with a result greater than FFFFH

Start of normalizing if the ('**MD3.7**' = '1') most significant bit of **MD3** is set

Any operation of the **MDU** that does not match the above conditions clears the overflow flag. Note that the overflow flag is exclusively controlled by hardware. It cannot be written.

17.3 MD0 – MD5 (Multiplication Division Register)

MD0		Address = E2H		Reset Value = 00000000B				
Multiplication Division Register 0								
		MD0[7:0]						
Bit	7	6	5	4	3	2	1	0
Type	R/W	R/W	R/W	R/W	R/W	R/W	R/W	R/W

MD1		Address = E3H		Reset Value = 00000000B				
Multiplication Division Register 1								
		MD1[7:0]						
Bit	7	6	5	4	3	2	1	0
Type	R/W	R/W	R/W	R/W	R/W	R/W	R/W	R/W

MD2		Address = E4H		Reset Value = 00000000B				
Multiplication Division Register 2								
		MD2[7:0]						
Bit	7	6	5	4	3	2	1	0
Type	R/W	R/W	R/W	R/W	R/W	R/W	R/W	R/W

MD3		Address = E5H		Reset Value = 00000000B				
Multiplication Division Register 3								
		MD3[7:0]						
Bit	7	6	5	4	3	2	1	0
Type	R/W	R/W	R/W	R/W	R/W	R/W	R/W	R/W

MD4		Address = E6H		Reset Value = 00000000B				
Multiplication Division Register 4								
		MD4[7:0]						
Bit	7	6	5	4	3	2	1	0
Type	R/W	R/W	R/W	R/W	R/W	R/W	R/W	R/W

MD5		Address = E7H		Reset Value = 00000000B				
Multiplication Division Register 5								
		MD5[7:0]						
Bit	7	6	5	4	3	2	1	0
Type	R/W	R/W	R/W	R/W	R/W	R/W	R/W	R/W

17.4 MDU Operation Description

The operation of the **MDU** consists of three phases:

17.4.1 Loading the MDx registers

The type of calculation the **MDU** has to perform is selected by the order in which the MDx registers are written to. A write to **MD0** is the first transfer to be done in any case. Next writes must be done as shown in the table below to determine the **MDU** operation. The last write will start the selected operation.

Operation	32-bit/16-bit	16-bit-/16bit	16-bit x 16-bit	Shift/ normalizing
First write	MD0 Dividend Low	MD0 Dividend Low	MD0 Multiplicand Low	MD0 LSB
	MD1 Dividend	MD1 Dividend High	MD4 Multiplier Low	MD1
	MD2 Dividend		MD1 Multiplicand High	MD2
	MD3 Dividend High			MD3 MSB
	MD4 Divisor Low	MD4 Divisor Low		
Last write	MD5 Divisor High	MD5 Divisor High	MD5 Multiplier High	MD_CONT start conversion

17.4.2 Executing calculation

During the calculation period, the **MDU** works in parallel to the CPU. When the calculation is complete, the hardware will set the **MDUF** bit to one (**MDUF** = '1'). The flag will be cleared at the next calculation.

The following table provides the execution time for each mathematical operation.

Operation	Number of clock cycles	
Division 32-bit/16-bit	17 clock cycles	
Division 16-bit/16-bit	9 clock cycles	
Multiplication	11 clock cycles	
Shift	Min 3 clock cycles (SC = 01H)	Max 18 clock cycles (SC = 1FH)
Normalize	Min 4 clock cycles (SC <= 01H)	Max 19 clock cycles (SC = 1FH)

17.4.3 Reading the result from the MDx registers

The Read-out sequence of the first "MDx" registers is not critical but the last read determines the end of a whole calculation.

Operation	32-bit/16-bit	16-bit/16-bit	16-bit x 16-bit	Shift/ normalizing
First read	MD0 Quotient Low	MD0 Quotient Low	MD0 Product Low	MD0 LSB
	MD1 Quotient	MD1 Quotient High	MD1 Product	MD1
	MD2 Quotient		MD2 Product	MD2
	MD3 Quotient High			
	MD4 Remainder Low	MD4 Remainder Low		
Last read	MD5 Remainder High	MD5 Remainder High	MD3 Product High	MD3 MSB

17.4.4 Shifting

In shift operation, 32-bit integer variable stored in **MD0** to **MD3** registers (the latter contains the most significant byte) is shifted left or right by a specified number of bits. The **SLR** bit (**MD_CONT.5**) defines the shift direction, and bits **SC[4:0]** (**MD_CONT.4** – **MD_CONT.0**) specifies the shift count (which must not be 0). During shift operation, zeroes come into the left end of **MD3** for shifting right or right end of the **MD0** for shifting left.

17.4.5 Normalizing

All leading zeroes of 32-bit integer variable stored in **MD0** to **MD3** registers, the latter contains the most significant byte are removed by shift left operations. The whole operation is completed when the MSB (most significant bit) of **MD3** register contains a '1'. After normalizing, bits **SC[4:0]** (**MD_CONT.4** – **MD_CONT.0**) contain the number of shift left operations, which were done.

18. Motor Controller(MOC)

18.1 HALL Interface

SFR	Description	address	Reset value
HALLDBT	Hall De-bounce Time Register	9CH	0EH
HALLSET1	Hall Setting Register 1	91H	45H
HALLSET2	Hall Setting Register 2	92H	26H
HALLSET3	Hall Setting Register 3	93H	13H
HALLST	Hall Status Register	94H	XXH
ROTORSPEEDH	Rotor Speed Count Register High	97H	FFH
ROTORSPEEDL	Rotor Speed Count Register Low	96H	FFH
VRHALL	Virtual Hall Register	D9H	05H

MCONT1		Address = 9DH		Reset Value = X0110000B				
Motor Control Register 1								
Bit	-----	HCKS[2:0]			HALLALS	DMS	MPWMA	AMDS
Type	7	6	5	4	3	2	1	0
	X	R/W	R/W	R/W	R/W	R/W	R/W	R/W
HCKS[2:0]	Hall clock select :							
	000 : 48MHz/4			100 : 48MHz/64				
	001 : 48MHz/8			101 : 48MHz/128				
	010 : 48MHz/16			110 : 48MHz/256				
	011 : 48MHz/32			111 : 48MHz/512				
HALLALS	Hall alignment select :							
	0 : Line voltage (Line to Line)							
	1 : Phase voltage							
DMS	Driving mode select :							
	0 : 120° Square-Wave							
	1 : Sin-Wave							
MPWMA	MPWM auto mode :							
	0 : Disable. (control by firmware)							
	1 : Enable. (control by MOC)							
AMDS	Auto mode direction select :							
	0 : When MPWMA = '1', driving direction is forward.							
	1 : When MPWMA = '1', driving direction is reverse.							

MCONT2 Address = A2H Reset Value = 0000000B

Motor Control Register 2

	MPWMTR	----			----	VRHS	AOCPS	----
Bit	7	6	5	4	3	2	1	0
Type	R/W	X	X	X	X	R/W	R/W	X

MPWMTR MPWM timer run control :

0 : Stop

1 : Run

VRHS Virtual Hall select :

0 : Real Hall. (HALL U, HALL V, HALL W)

1 : Virtual Hall.

AOCPS Analog OCP select :

0 : Digital OCP

1 : Analog OCP

18.1.1 HALLDBT (Hall De-bounce Time Register)

HALLDBT Address = 9CH Reset Value = 00001110B

Hall De-bounce Time Register

	----	----	HALLDBT[5:0]					
Bit	7	6	5	4	3	2	1	0
Type	X	X	R/W	R/W	R/W	R/W	R/W	R/W

HALLDBT is use to filter the HALL signal.

$$\text{De-bounce time} = \frac{1}{\frac{48\text{MHz}}{16}} \times \text{HALLDBT}[5:0]$$

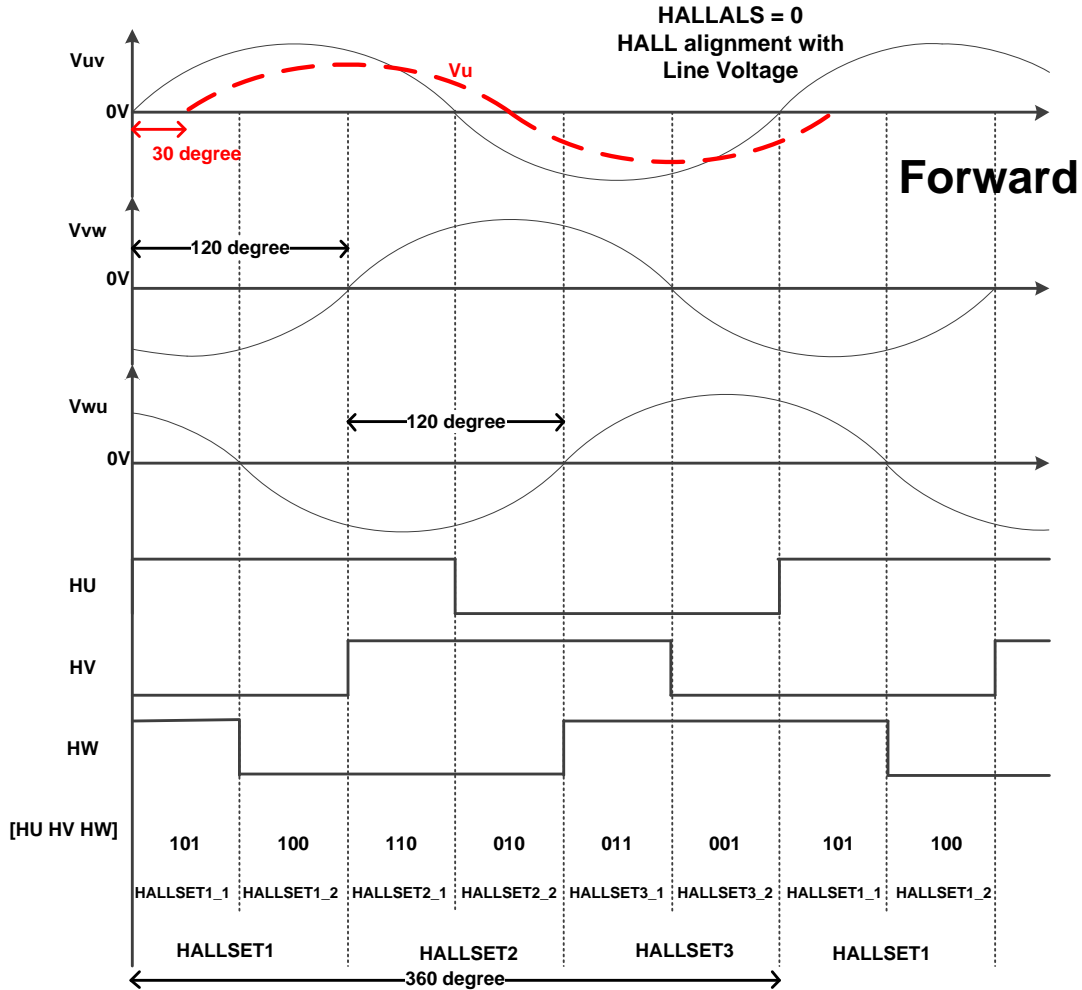
18.1.2 HALLSET (Hall Setting Register 1, 2, 3)

HALLSET define forward direction HALL sequence.

ϕHall alignment select **HALLALS = 0 (MCONT1)**

Line Voltage(Line to Line) sequence is V_{uv} leads V_{vw} by 120 degrees and V_{vw} leads V_{wu} by 120 degrees.(Forward direction define in **MDRH40**)

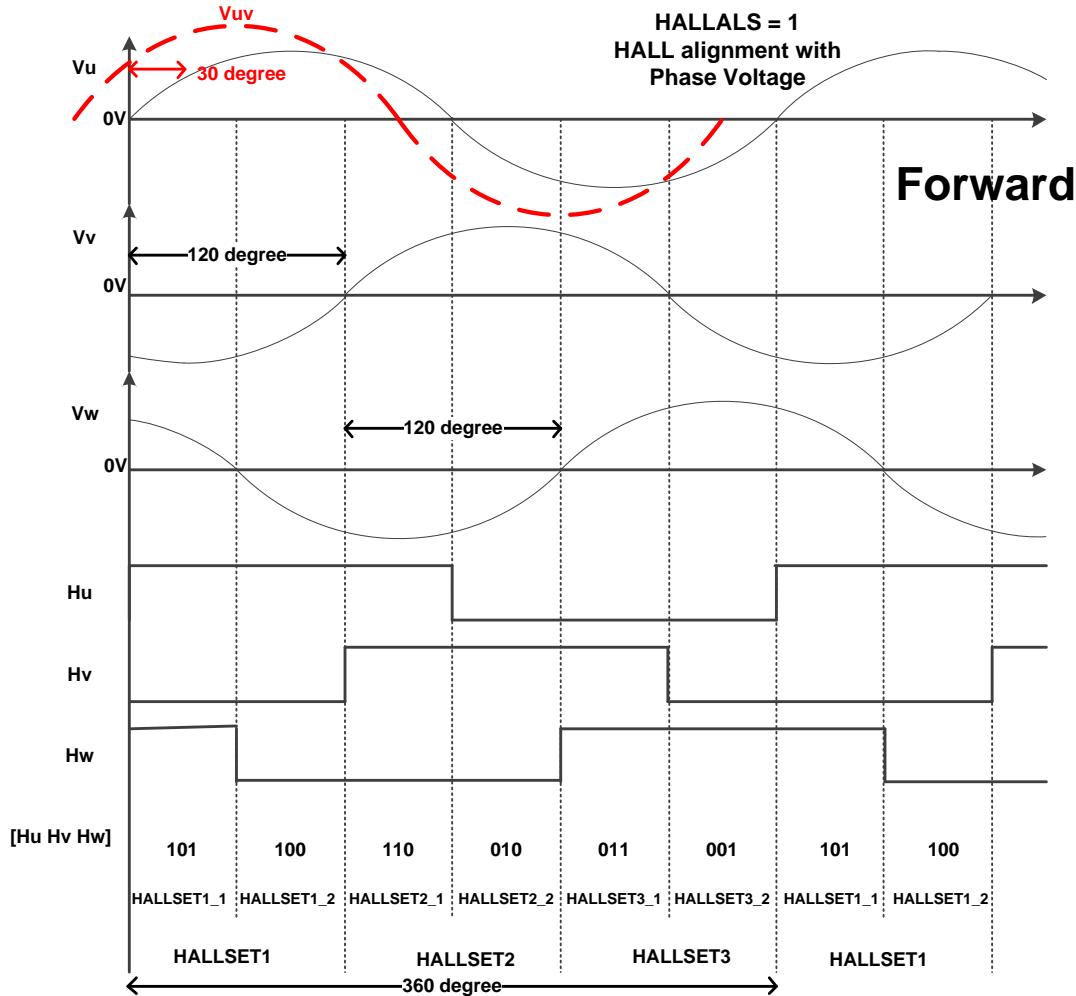
Hall signal is alignment with Line Voltage.



∅ Hall alignment select **HALLALS = 1 (MCONT1)**

Phase Voltage sequence is V_u leads V_v by 120 degrees and V_v leads V_w by 120 degrees. (Forward direction define in **MDRH40**)

Hall signal is alignment with Phase Voltage.



HALLSET1 (SYNC) Address = 91H Reset Value = 01000101B

Hall Setting Register 1

	----	HALLSET1_2[2:0]			----	HALLSET1_1[2:0]		
Bit	7	6	5	4	3	2	1	0
Type	X	R/W	R/W	R/W	X	R/W	R/W	R/W

[2] : HALL U status. [1] : HALL V status. [0] : HALL W status.

HALLSET2 (SYNC) Address = 92H Reset Value = 00100110B

Hall Setting Register 2

	-----	HALLSET2_2 [2:0]			-----	HALLSET2_1[2:0]		
Bit	7	6	5	4	3	2	1	0
Type	X	R/W	R/W	R/W	X	R/W	R/W	R/W

[2] : HALL U status. [1] : HALL V status. [0] : HALL W status.

HALLSET3 (SYNC) Address = 93H Reset Value = 00010011B

Hall Setting Register 3

	-----	HALLSET3_2[2:0]			-----	HALLSET3_1[2:0]		
Bit	7	6	5	4	3	2	1	0
Type	X	R/W	R/W	R/W	X	R/W	R/W	R/W

[2] : HALL U status. [1] : HALL V status. [0] : HALL W status.

18.1.3 HALLST (Hall Status Register)

HALLST Address = 94H Reset Value = xxxxxxxxB

Hall Status Register

	-----	H_OLD[2:0]			-----	H_NEW[2:0]		
Bit	7	6	5	4	3	2	1	0
Type	X	R	R	R	X	R	R	R

H_OLD[2:0] Hall old status :
[2] : HALL U status. [1] : HALL V status. [0] : HALL W status.

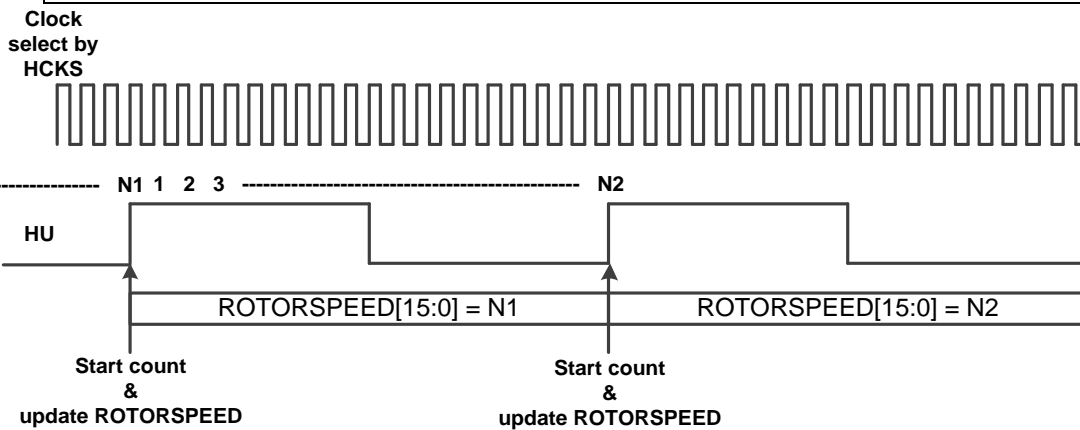
H_NEW[2:0] Hall new status :
[2] : HALL U status. [1] : HALL V status. [0] : HALL W status.

18.1.4 ROTORSPEED (Rotor Speed Count Register)

ROTORSPEED is a 16-bit counter (counter is limit at FFFFH). Clock source is depends on **HCKS**(**MCONT1** reg.). The counter input is **HALLU**.

ROTORSPEEDH		Address = 97H		Reset Value = 11111111B					
Rotor Speed Count Register High									
		ROTORSPEED[15:8]							
Bit	7	6	5	4	3	2	1	0	
Type	R	R	R	R	R	R	R	R	

ROTORSPEEDL		Address = 96H		Reset Value = 11111111B					
Rotor Speed Count Register Low									
		ROTORSPEED[7:0]							
Bit	7	6	5	4	3	2	1	0	
Type	R	R	R	R	R	R	R	R	



18.1.5 VRHALL (Virtual Hall Register)

VRHALL		Address = D9H		Reset Value = 00000101B				
Virtual Hall Register								
		----	----	----	----	VRH[2:0]		
Bit	7	6	5	4	3	2	1	0
Type	X	X	X	X	X	R/W	R/W	R/W

VRH[2:0] Virtual Hall value.
 VRH.2 is Virtual HALL U.
 VRH.1 is Virtual HALL V.
 VRH.0 is Virtual HALL W.

18.2 Motor PWM Engine

MPWM is count up and down timer. (fixed)

SFR	Description	address	Reset value
MCONT1	Motor Control Register 1	9DH	X011 0000B
MCONT2	Motor Control Register 2	A2H	00H
MPWMMAXH	Motor PWM Max Register High	A4H	00H
MPWMMAXL	Motor PWM Max Register Low	A3H	02H
MPWMDYUH	Motor PWM Duty Register U High (Phase U)	A6H	07H
MPWMDYUL	Motor PWM Duty Register U Low (Phase U)	A5H	FFH
MPWMDYVH	Motor PWM Duty Register V High (Phase V)	ABH	07H
MPWMDYVL	Motor PWM Duty Register V Low (Phase V)	AAH	FFH
MPWMDYWH	Motor PWM Duty Register W High (Phase W)	AEH	07H
MPWMDYWL	Motor PWM Duty Register W Low (Phase W)	ADH	FFH
MPWMDB	Motor PWM Deadband Register	A7H	00H
MPWMCONT1	MPWM Control Register 1	B1H	00H
MPWMCONT2	MPWM Control Register 2	B2H	00H
MPWMINV	MPWM Inverse Selection Register	B3H	00H

18.2.1 MCONT1 (Motor Control Register 1)

MCONT1		Address = 9DH		Reset Value = X0110000B				
Motor Control Register 1								
	-----	HCKS[2:0]			HALLALS	DMS	MPWMA	AMDS
Bit	7	6	5	4	3	2	1	0
Type	X	R/W	R/W	R/W	R/W	R/W	R/W	R/W
HCKS[2:0]	Hall clock select :							
	000 : 48MHz/4			100 : 48MHz/64				
	001 : 48MHz/8			101 : 48MHz/128				
	010 : 48MHz/16			110 : 48MHz/256				
	011 : 48MHz/32			111 : 48MHz/512				
HALLALS	Hall alignment select :							
	0 : Line voltage (Line to Line)							
	1 : Phase voltage							
DMS	Driving mode select :							
	0 : 120° Square-Wave							
	1 : Sin-Wave							
MPWMA	MPWM auto mode :							
	0 : Disable. (control by firmware)							
	1 : Enable. (control by MOC)							
AMDS	Auto mode direction select :							
	0 : When MPWMA = '1', driving direction is forward.							
	1 : When MPWMA = '1', driving direction is reverse.							

18.2.2 MCONT2 (Motor Control Register 2)

MCONT2		Address = A2H				Reset Value = 0000000B		
Motor Control Register 2								
	MPWMTR	----			----	VRHS	AOCPS	----
Bit	7	6	5	4	3	2	1	0
Type	R/W	X	X	X	X	R/W	R/W	X
MPWMTR	MPWM timer run control : 0 : Stop 1 : Run							
VRHS	Virtual Hall select : 0 : Real Hall. (HALL U, HALL V, HALL W) 1 : Virtual Hall.							
AOCPS	Analog OCP select : 0 : Digital OCP 1 : Analog OCP							

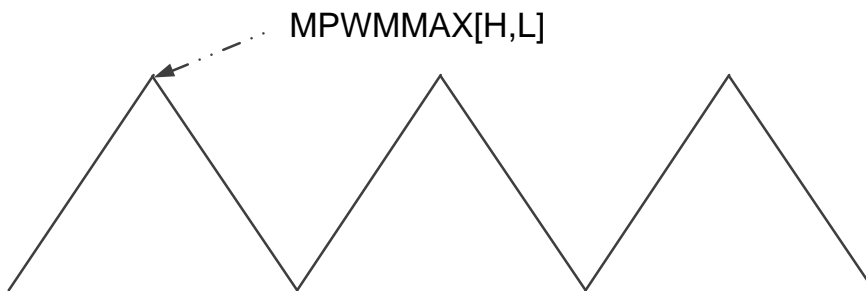
18.2.3MPWMMAX (Motor PWM Max Register)

MPWM is 11-bit timer. The frequency of MPWM timer is 48MHz. (fixed)

MPWM is count up and down timer. (fixed)

MPWMMAXH (SYNC)		Address = A4H		Reset Value = 00000000B					
Motor PWM Max Register High									
		----	----	----	----	----	MPWMMAX[10:8]		
Bit		7	6	5	4	3	2	1	0
Type		X	X	X	X	X	R/W	R/W	R/W

MPWMMAXL (SYNC)		Address = A3H		Reset Value = 00000010B					
Motor PWM Max Register Low									
		MPWMMAX[7:0]							
Bit		7	6	5	4	3	2	1	0
Type		R/W	R/W	R/W	R/W	R/W	R/W	R/W	R/W



18.2.4 MPWMDY (Motor PWM Duty Register)

MPWM is 11-bit timer.

MPWMDYU is phase U PWM duty. MPWMDYV is phase V PWM duty. MPWMDYW is phase W PWM duty.

MPWMDYUH (SYNC)		Address = A6H		Reset Value = 00000111B				
Motor PWM Duty Register U High (Phase U)								
	-----	-----	-----	-----	-----	MPWMDYU[10:8]		
Bit	7	6	5	4	3	2	1	0
Type	X	X	X	X	X	R/W	R/W	R/W

MPWMDYUL (SYNC)		Address = A5H		Reset Value = 11111111B				
Motor PWM Duty Register U Low (Phase U)								
	MPWMDYU[7:0]							
Bit	7	6	5	4	3	2	1	0
Type	R/W	R/W	R/W	R/W	R/W	R/W	R/W	R/W

MPWMDYVH (SYNC)		Address = ABH		Reset Value = 00000111B				
Motor PWM Duty Register V High (Phase V)								
	-----	-----	-----	-----	-----	MPWMDYV[10:8]		
Bit	7	6	5	4	3	2	1	0
Type	X	X	X	X	X	R/W	R/W	R/W

MPWMDYVL (SYNC)		Address = AAH		Reset Value = 11111111B				
Motor PWM Duty Register V Low (Phase V)								
	MPWMDYV[7:0]							
Bit	7	6	5	4	3	2	1	0
Type	R/W	R/W	R/W	R/W	R/W	R/W	R/W	R/W

MPWMDYWH (SYNC)		Address = AEH		Reset Value = 00000111B				
Motor PWM Duty Register W High (Phase W)								
	-----	-----	-----	-----	-----	MPWMDYW[10:8]		
Bit	7	6	5	4	3	2	1	0
Type	X	X	X	X	X	R/W	R/W	R/W

MPWMDYWL (SYNC)		Address = ADH		Reset Value = 11111111B				
Motor PWM Duty Register W Low (Phase W)								
		MPWMDYW[7:0]						
Bit	7	6	5	4	3	2	1	0
Type	R/W	R/W	R/W	R/W	R/W	R/W	R/W	R/W

18.2.5 MPWMDDB (Motor PWM Deadband Register)

Compensation PWM output with Deadband is use to prevent short-though between high-side and low-side power device.

The frequency of **MPWMDDB** is 48MHz. (fixed)

MPWMDDB (SYNC)		Address = A7H		Reset Value = 00000000B				
Motor PWM Deadband Register								
		MPWMDDB[7:0]						
Bit	7	6	5	4	3	2	1	0
Type	R/W	R/W	R/W	R/W	R/W	R/W	R/W	R/W

18.2.6 MPWMCONT1 (MPWM Control Register 1)

Motor High-side PWM output mode select:

MPWMCONT1 (SYNC) Address = B1H Reset Value = 0000000B								
MPWM Control Register 1								
	-----	-----	PWMW[1:0]		PWMV[1:0]		PWMU[1:0]	
Bit	7	6	5	4	3	2	1	0
Type	X	X	R/W	R/W	R/W	R/W	R/W	R/W
PWMW	Phase W High-side (W) output mode select :							
	00 : Force Low							
	01 : Force High							
	10 : Active High							
	11 : Active Low							
PWMV	Phase V High-side (V) output mode select :							
	00 : Force Low							
	01 : Force High							
	10 : Active High							
	11 : Active Low							
PWMU	Phase U High-side (U) output mode select :							
	00 : Force Low							
	01 : Force High							
	10 : Active High							
	11 : Active Low							

18.2.7 MPWMCONT2 (MPWM Control Register 2)

Motor Low-side PWM output mode select:

MPWMCONT2 (SYNC) Address = B2H Reset Value = 0000000B

MPWM Control Register 2

	-----	-----	PWMZ[1:0]		PWMY[1:0]		PWMX[1:0]	
Bit	7	6	5	4	3	2	1	0
Type	X	X	R/W	R/W	R/W	R/W	R/W	R/W

PWMZ Phase W Low-side (Z) output mode select :

00 : Force Low

01 : Force High

10 : Active High

11 : Active Low

PWMY Phase V Low-side (Y) output mode select :

00 : Force Low

01 : Force High

10 : Active High

11 : Active Low

PWMX Phase U Low-side (X) output mode select :

00 : Force Low

01 : Force High

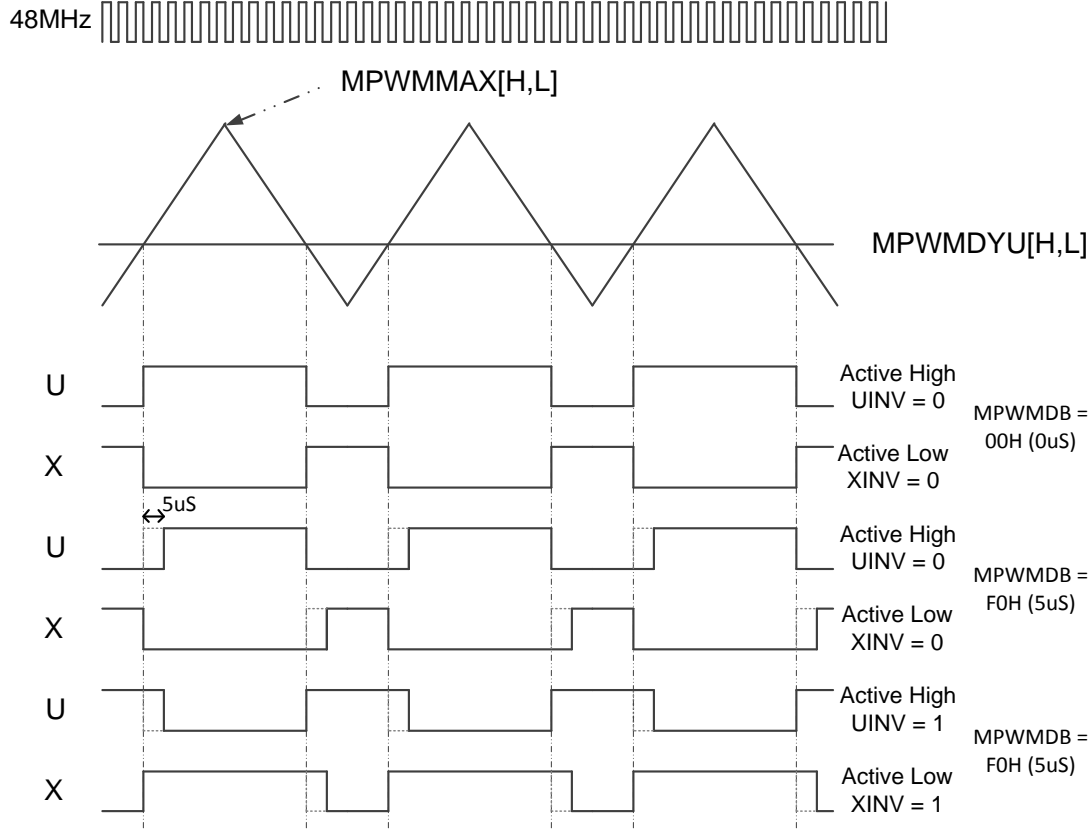
10 : Active High

11 : Active Low

18.2.8 MPWMINV (MPWM Inverse Selection Register)

Motor six PWM output Inverse select:

MPWMINV(SYNC)		Address = B3H		Reset Value = 0000000B				
MPWM Inverse Selection Register								
Bit	7	6	5	4	3	2	1	0
Type	X	X	R/W	R/W	R/W	R/W	R/W	R/W
ZINV	Low-side PWM Z output inverse select : 0 : Non-inverse 1 : Inverse							
WINV	High-side PWM W output inverse select : 0 : Non-inverse 1 : Inverse							
YINV	Low-side PWM Y output inverse select : 0 : Non-inverse 1 : Inverse							
VINV	High-side PWM V output inverse select : 0 : Non-inverse 1 : Inverse							
XINV	Low-side PWM X output inverse select : 0 : Non-inverse 1 : Inverse							
UINV	High-side PWM U output inverse select : 0 : Non-inverse 1 : Inverse							



18.3 Space Vector PWM (SVPWM)

SFR	Description	address	Reset value
SVPWMAMPH	SVPWM Amplitude Register High	C4H	00H
SVPWMAMPL	SVPWM Amplitude Register Low	C3H	00H
SVPWMAMPFT	SVPWM Amplitude Fine-Tune Register	DAH	00H
SVPWMANG	SVPWM Angle Register	C1H	00H
AS	Angle Shift Control Register	8FH	00H

18.3.1 SVPWMAMP (SVPWM Amplitude Register)

SVPWMAMP is control by user.

SVPWMAMPH(SYNC)		Address = C4H		Reset Value = 0000000B				
SVPWM Amplitude Register High								
	-----	-----	-----	-----	-----	SVPWMAMP[10:8]		
Bit	7	6	5	4	3	2	1	0
Type	X	X	X	X	X	R/W	R/W	R/W

SVPWMAMPL(SYNC)		Address = C3H		Reset Value = 0000000B				
SVPWM Amplitude Register Low								
	SVPWMAMP[7:0]							
Bit	7	6	5	4	3	2	1	0
Type	R/W	R/W	R/W	R/W	R/W	R/W	R/W	R/W

18.3.2 SVPWMAMPFT (SVPWM Amplitude Fine-Tune Register)

SVPWMAMPFT		Address = DAH		Reset Value = 0000000B				
SVPWM Amplitude Fine-Tune Register								
	-----	-----	-----	-----	-----	SVPWMAMPFT[2:0]		
Bit	7	6	5	4	3	2	1	0
Type	X	X	X	X	X	R/W	R/W	R/W

18.3.3 SVPWMANG (SVPWM Angle Register)

1.875°/bit

0°~ 358.125° = 0~191(SVPWMANG)

When **MWPMA** = '1' (auto mode), **SVPWMANG** is control by **MOC**.

When **MWPMA** = '0', **SVPWMANG** is control by user.

SVPWMANG		Address = C1H							Reset Value = 0000000B
SVPWM Angle Register									
		SVPWMANG[7:0]							
Bit	7	6	5	4	3	2	1	0	
Type	R/W	R/W	R/W	R/W	R/W	R/W	R/W	R/W	

18.3.4 AS (Angle Shift Control Register)

AS is used to compensate phase lag between current and voltage

1.875°/bit

When **MWPMA** = '1' (auto mode), **AS** is active. Control by user.

AS (SYNC)		Address = 8FH							Reset Value = 0000000B
Angle Shift Control Register									
		AS_LS	----	----	AS_VALUE[4:0]				
Bit	7	6	5	4	3	2	1	0	
Type	R/W	X	X	R/W	R/W	R/W	R/W	R/W	
AS_LS	Angle Shift Lag select:								
	0 : 0° ~58.125° = 0~ 31(AS_VALUE)								
	1 : 0° ~-58.125° = 0~ 31(AS_VALUE)								

18.4 Over Current Protect (OCP)

MCONT2		Address = A2H				Reset Value = 0000000B		
Motor Control Register 2								
	MPWMTR	----			----	VRHS	AOCPS	----
Bit	7	6	5	4	3	2	1	0
Type	R/W	X	X	X	X	R/W	R/W	X
MPWMTR	MPWM timer run control : 0 : Stop 1 : Run							
VRHS	Virtual Hall select : 0 : Real Hall. (HALL A, HALL B, HALL C) 1 : Virtual Hall.							
AOCPS	Analog OCP select : 0 : Digital OCP 1 : Analog OCP							

OCPCONT		Address = A1H				Reset Value = 00000100B		
OCP Control Register								
	OCPST	OCPDBT[4:0]				OCP	OCPMS	
Bit	7	6	5	4	3	2	1	0
Type	R	R/W	R/W	R/W	R/W	R/W	R/W	R/W
OCPST	OCP Short status: 0 : No Over current Short 1 : Over current Short occur. (hardware set OCPC = '0') Six PWM output is high-impedance.							
OCPDBT[4:0]	PIN OCP input de-bounce time (default 41.67nS) 0~31 = 0~1.291uS (48MHz/2 fixed)							
OCP	OCP status clear bit : When OCP is occur, hardware will set OCPC = '0'. In User mode, user can write '1' to clear OCP status, the PWM will output at next PWM cycle.							
OCPMS	OCP mode select : 0 : Auto mode 1 : User mode							

AOCPCONT		Address = 9EH							Reset Value = 00001111B	
Analog OCP Control Register										
	OCPLT	----	----	I_LIMIT[2:0]			I_SHORT[1:0]			
Bit	7	6	5	4	3	2	1	0		
Type	R	X	X	R/W	R/W	R/W	R/W	R/W		
OCPLT	OCP Limit status 0 : No Over current Limit. 1 : Over current Limit occur.									
I_LIMIT[2:0]	OCP LIMIT level select : (OCPLIF) 000 : 0.15V 001 : 0.2V 010 : 0.25V 011 : 0.3V (default) 100 : 0.35V 101 : 0.4V 110 : 0.45V 111 : 0.5V									
I_SHORT[1:0]	OCP SHORT level select : (OCPSIF) 00 : 0.2V 01 : 0.3V 10 : 0.4V 11 : 0.5V (default)									

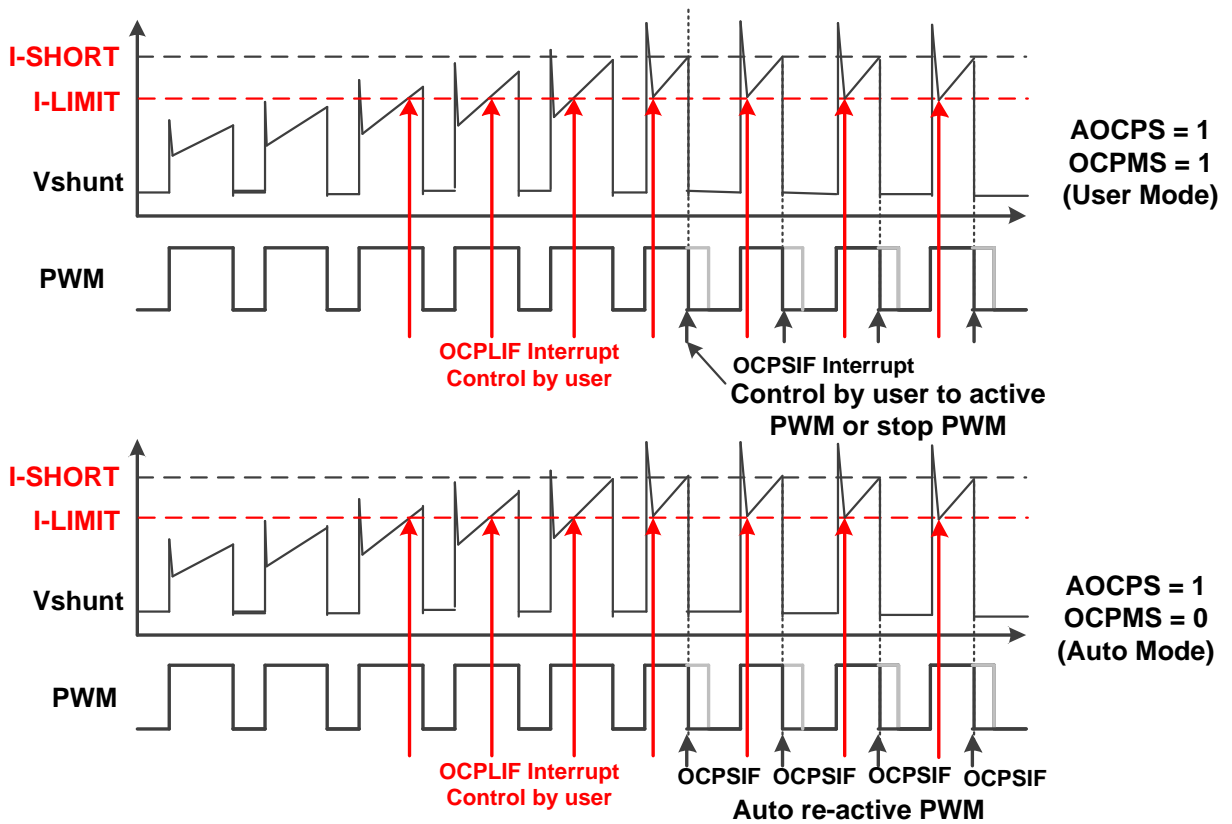
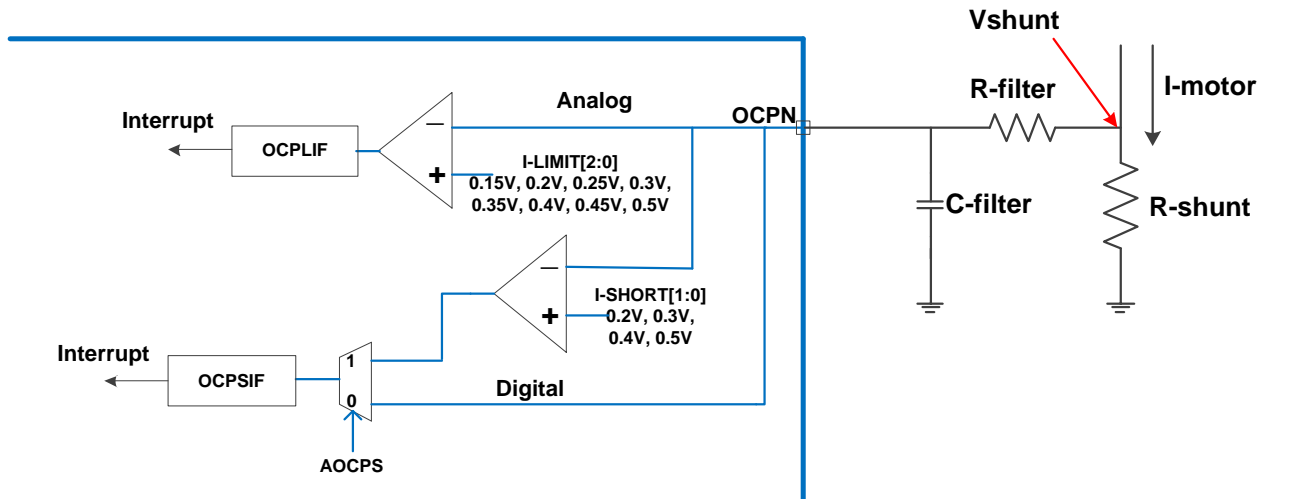


Figure 18.4.2 Analog OCP

18.5 SYNC

MOC behavior is synchronized with **MPWM**, many **MOC** SFRs have **shadow register** that is used to update these SFRs at the same time with **SYNC** register. Write **SYNC** any value will synchronization update these SFRs at the same time.

SYNC		Address = D7H							Reset Value = 0000000B	
MOC Sync Register										
		SYNC[7:0]								
Bit	7	6	5	4	3	2	1	0		
Type	W	W	W	W	W	W	W	W	W	

Write only.

Shadow register: (need **SYNC**)

HALLSET1

HALLSET2

HALLSET3

AS

MPWMMAXH, MPWMMAXL

MPWMDYUH, MPWMDYUL

MPWMDYVH, MPWMDYVL

MPWMDYWH, MPWMDYWL

MPWMDB

MPWMINV

MPWMCONT1

MPWMCONT2

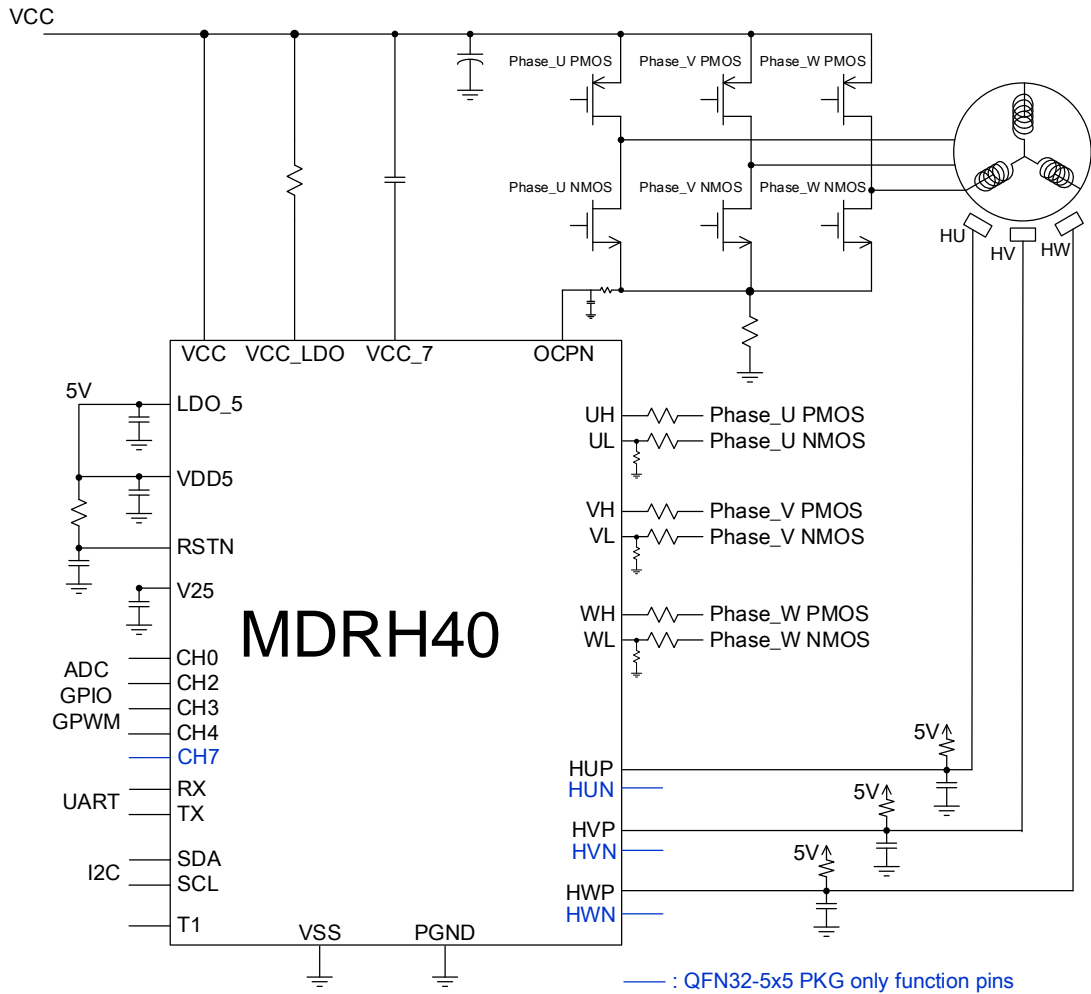
GPWMMAX

GPWMDY

GPWMOCNT.GPMS, GPWMOCNT.GPCT, GPWMOCNT.GPCKS

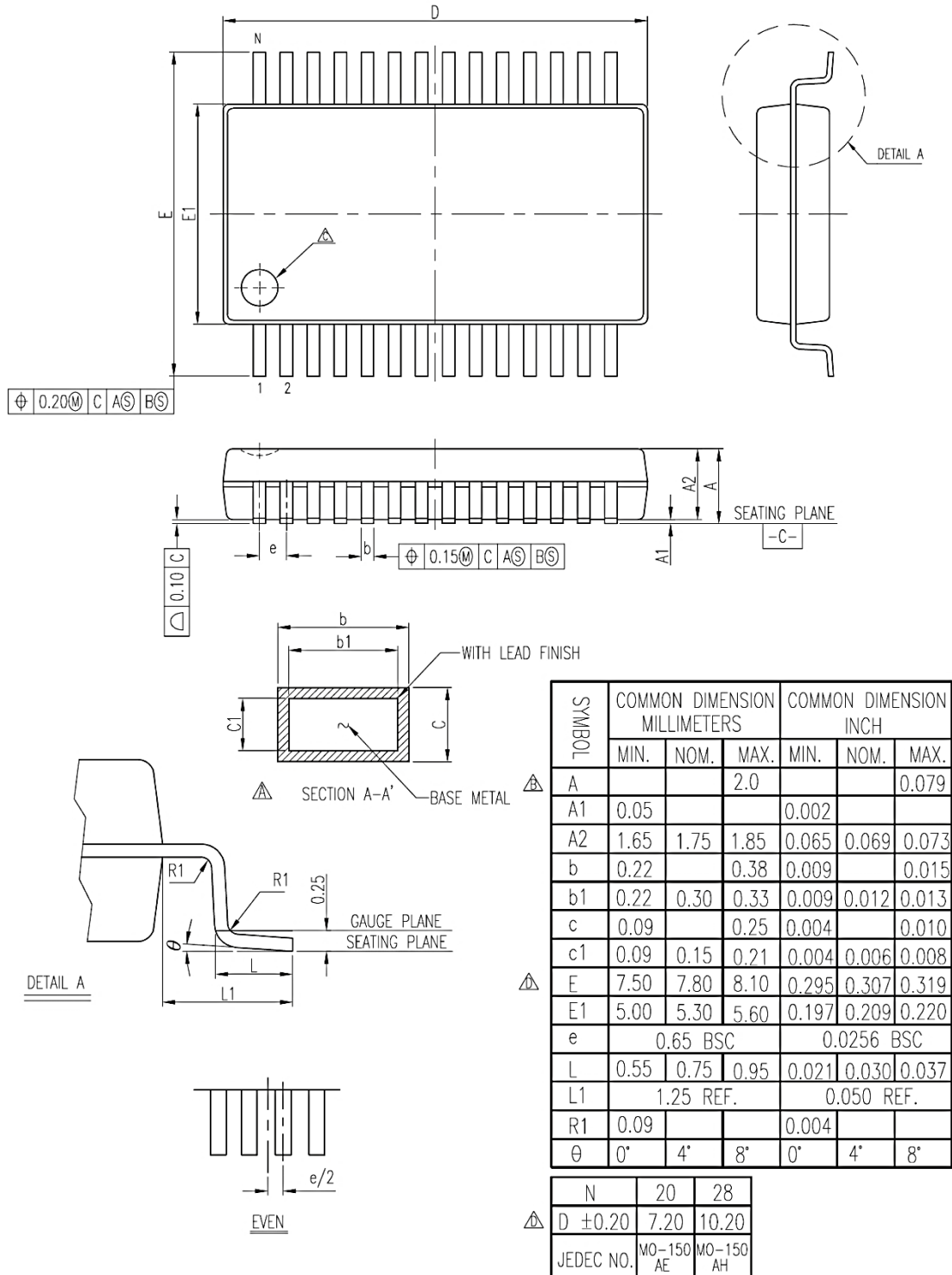
SVPWMAMP

19. Application Circuit



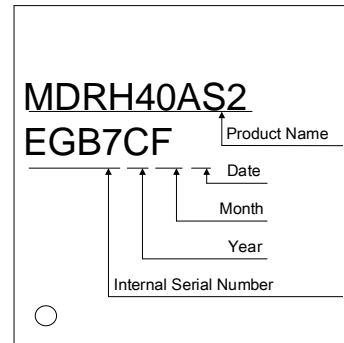
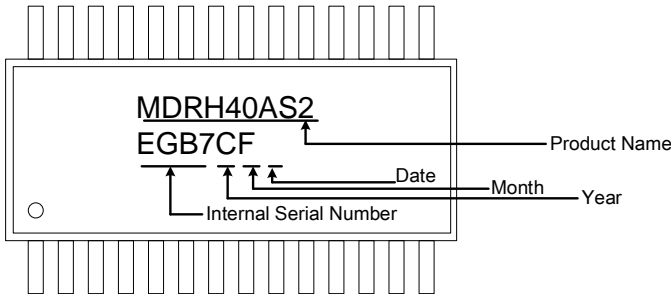
20. Package Information

20.1 SSOP-28W 209mil Outline Dimensions

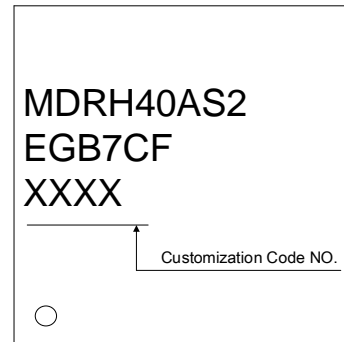
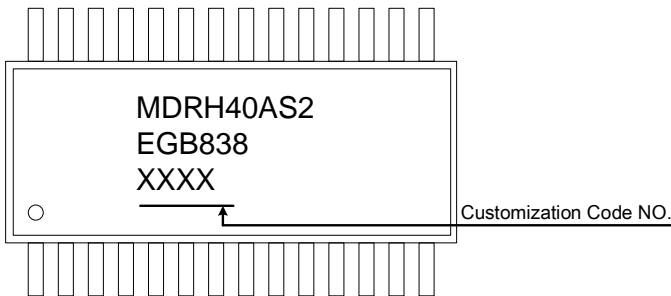


21. Marking Distinguish

21.1 Standard Ink (w/o code)



21.2 Customization Ink (with customization code)



21.3 Production Date Code Rule

Year											
2015	2016	2017	2018	2019	2020	2021	2022	2023	2024		
5	6	7	8	9	0	1	2	3	4		
Month											
Jan	Feb	Mar	Apr	May	Jun	Jul	Aug	Sep	Oct	Nov	Dec
1	2	3	4	5	6	7	8	9	A	B	C
Date											
1	2	3	4	5	6	7	8	9	10		
11	12	13	14	15	16	17	18	19	20		
B	C	D	E	F	G	H	J	K	L		
21	22	23	24	25	26	27	28	29	30		
M	N	P	R	S	T	U	V	W	X		
31											
Y											

22. Ordering Information

22.1 Standard Product Name

<u>M</u>	<u>DRH</u>	<u>40</u>	<u>AS2</u>
<i>megawin</i>	<i>Product Name</i>	<i>Voltage</i>	<i>Package SSOP-28W</i>

22.2 Customization Product Name

With customization code, produce by order.

<u>M</u>	<u>DRH</u>	<u>40</u>	<u>AS2</u>	—	<u>XXXXX</u>
<i>megawin</i>	<i>Product Name</i>	<i>Voltage</i>	<i>Package SSOP-28W</i>		<i>Customization Code NO.</i>

23. Revision History

Update Date	Version	Modify content
2020/11	V0.1	1. Initial issue.